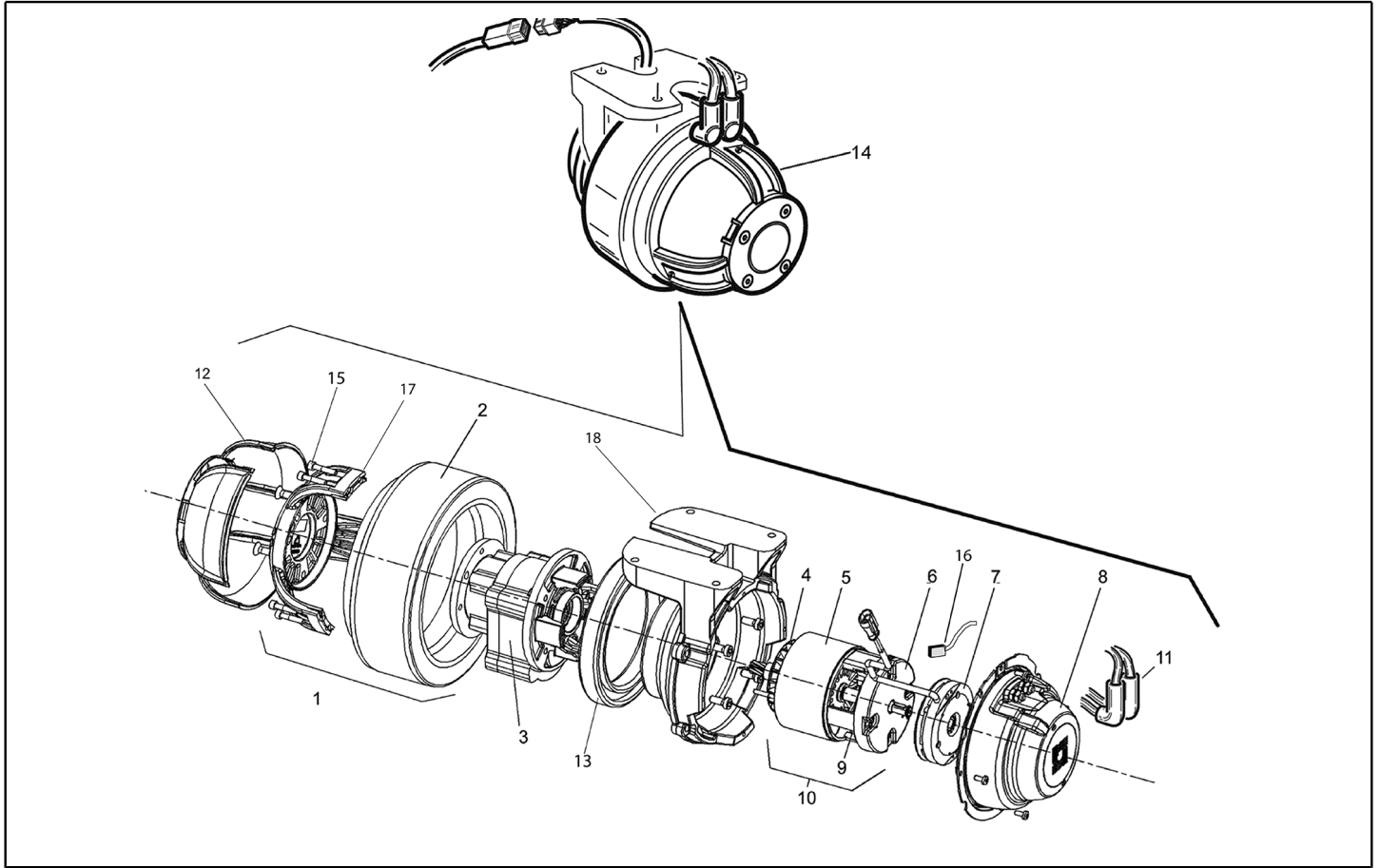




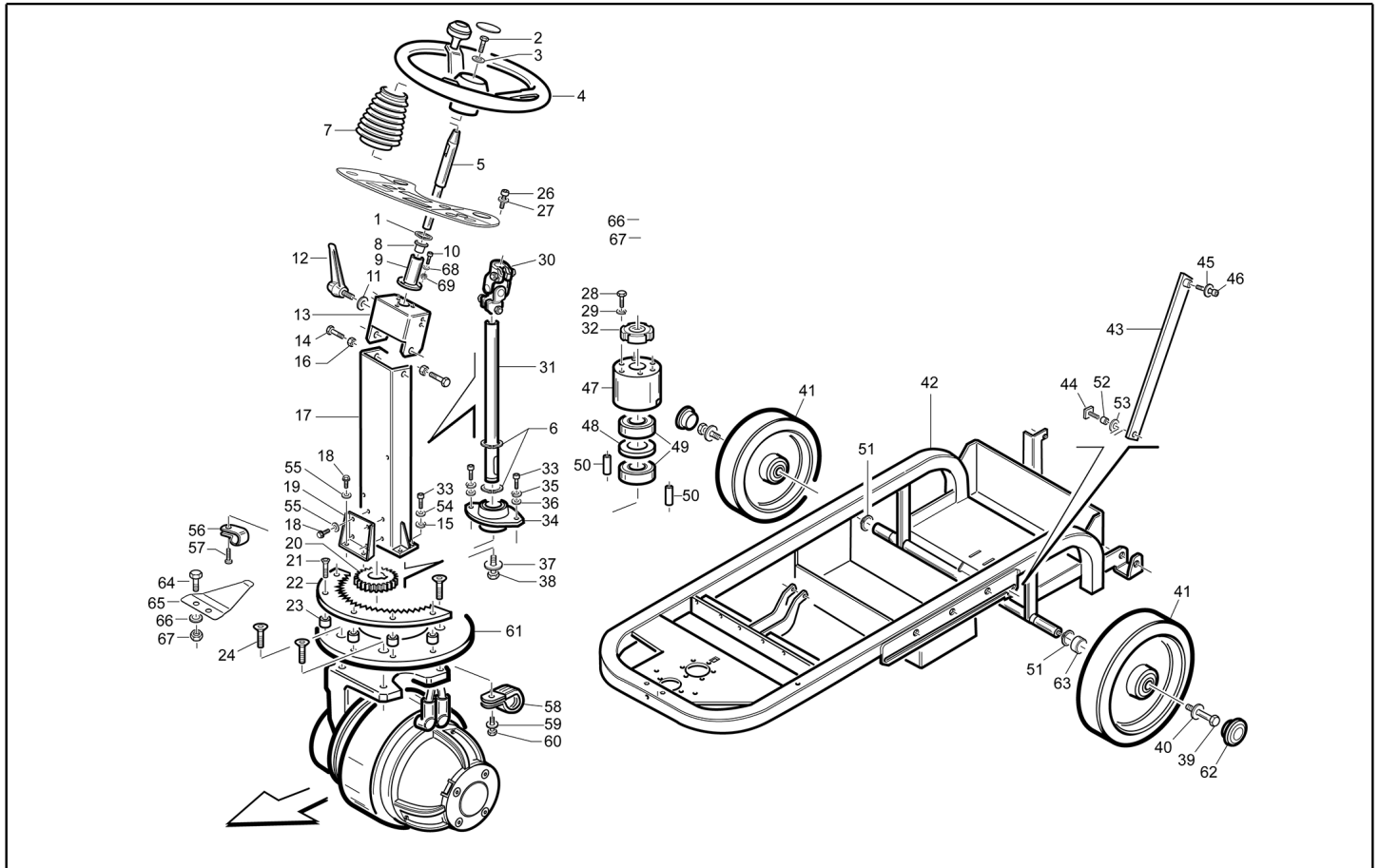
Spare Parts List

Ref: LPTB01705

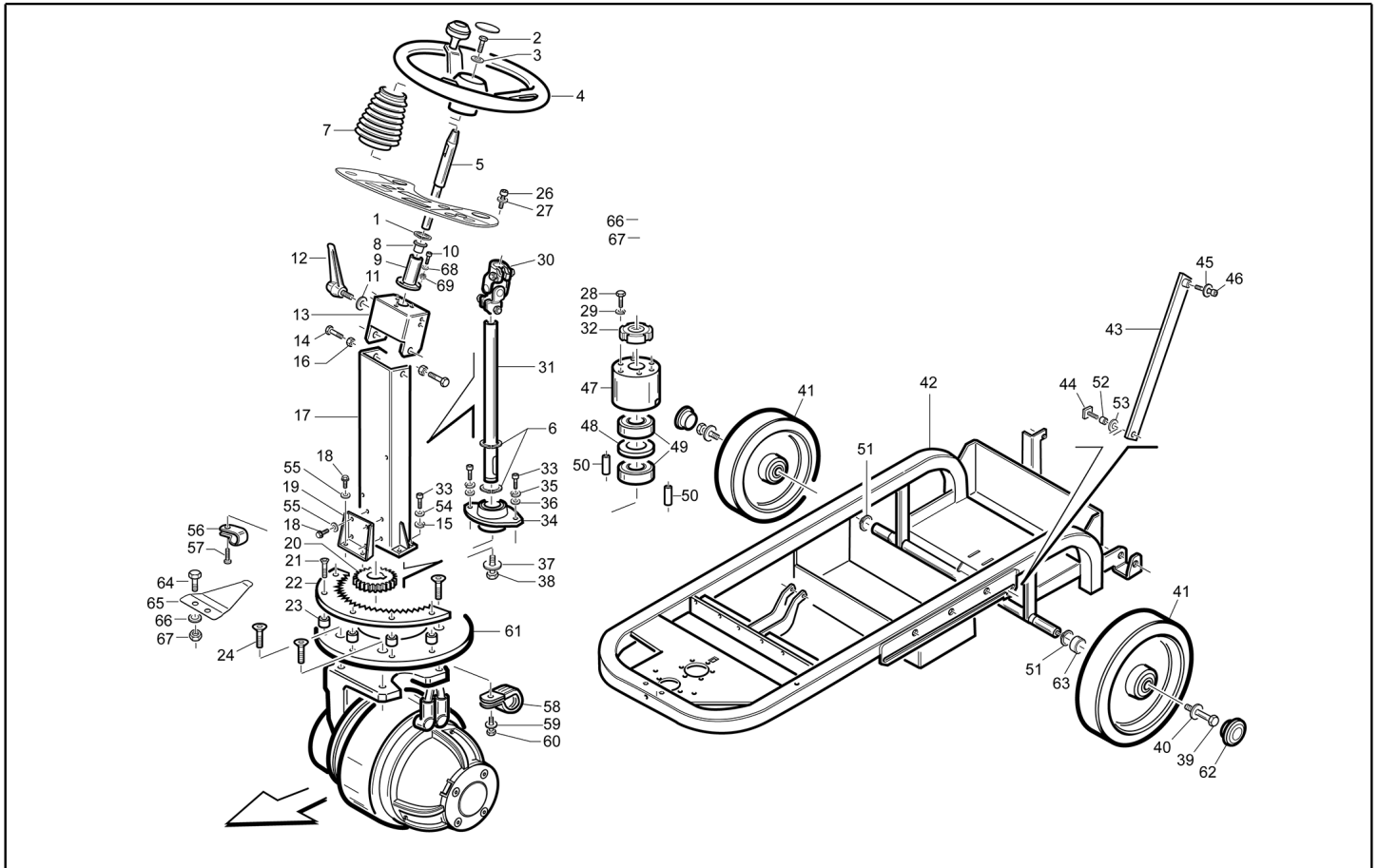
Model: FLOOR WASHER 2911SR EMEA-EUROPE



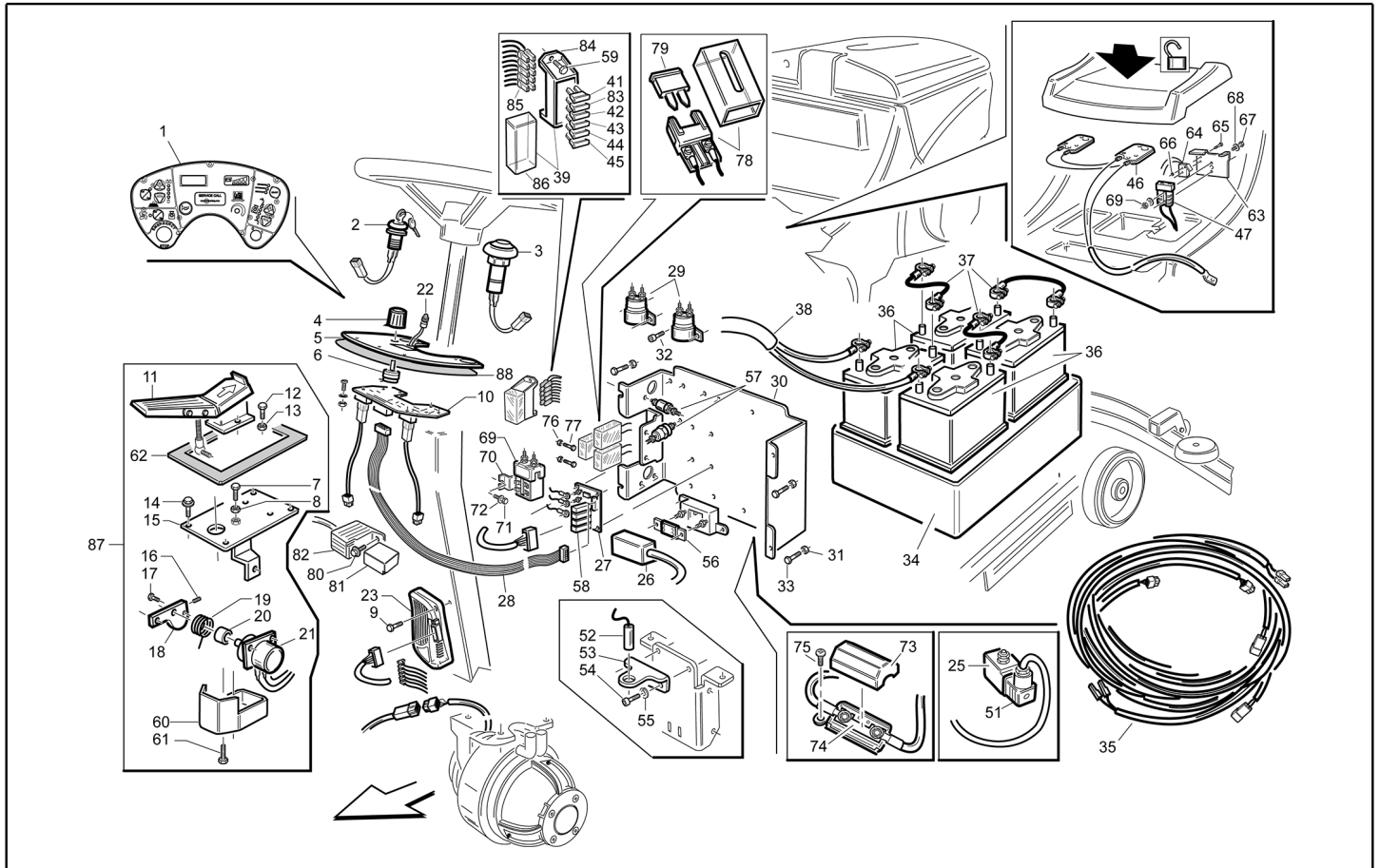
Ref. K	Part N.	Description	Quantity	Validity		Price
				From	To	
0001	RTRT00533	RING MOTOR/WHEEL	1,00			--
0002	RTRT00533	RING MOTOR/WHEEL	1,00			--
0003	RDGR00040	REDUCTION UNIT CT110	1,00			--
0004	KTRI05043	KIT MOTOR/WHEEL CT110	1,00			--
0006	MEVR02084	CAP CT110	1,00			--
0007	MEVR02030	BRAKE ELECTRIC MOTOR/WHEEL CT110	1,00			--
0008	MPVR06031	COWLING MOTOR/UTA	1,00			--
0003	MEVR00385	BRUSH CARBON 10X18	4,00			--
0010	MOCC00333	MOTOR MP80	1,00			--
0011	MEVR00883	PIPETTE	2,00			--
0012	MPVR08044	COVER -	1,00			--
0013	CUVR00134	BEARING 61926 2RS	1,00			--
0014	KTRI02203	KIT MOTOR/WHEEL CT110	1,00			--
0015	VTYT16676	SCREW M6X60 A2 UNI5331	4,00			--
0016	MEVR02302	THERMAL PROTECTOR MOTOR/WHEEL	1,00			--
0017	MFVR00235	SUPPORT ALUMINIUM PU RING	1,00			--
0018	MFVR00236	SUPPORT -	1,00			--



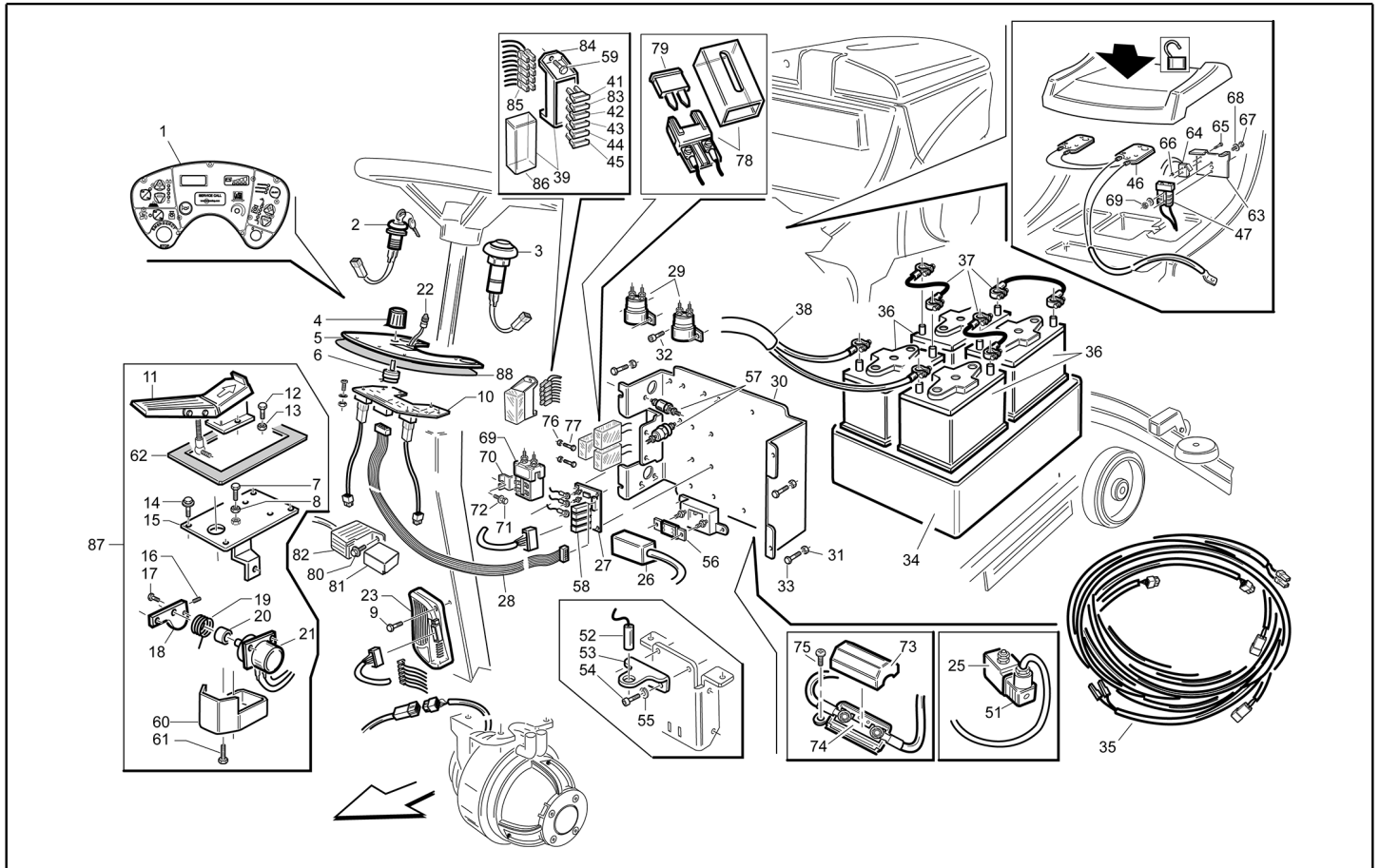
Ref. K	Part N.	Description	Quantity	Validity		Price
				From	To	
0001	604148	CIRCLIP ESTERNO DIN 471 D.15	2,00			--
0002	VTYT00457	SCREW TE M 10X30 ZINC. UNI 5733	1,00			--
0003	837401	WASHER, M10X40X2,5, UNI6593, ZB	1,00			--
0004	837400	WHEEL, STEERING 320MM	1,00			--
0005	ALTR00031	SHAFT PER VOLANTE TK 1050 ZINC.	1,00			--
0006	VTAE00032	SEEGER 20	2,00			--
0007	MPVR05237	PROTECTOR -	1,00			--
0008	837338	BUSHING, 15B 24D 17.5	2,00			--
0009	LAFN00143	BUSHING PORTA PIANTONE TK1050 ZIN	1,00			--
0010	VTYT09313	SCREW TCCE UNI 5331 6X16 ZB	3,00			--
0011	837120	WASHER, D.8X24, UNI6593, INOX	1,00			--
0012	MPVR05250	HANDLE M8X25	1,00			--
0013	KTR02058	KIT REGOLAZIONE STERZO CT110	1,00			--
0014	VTYT13336	SCREW TE M 10X 20	2,00			--
0015	837152	WASHER, D.8, UNI6592, INOX	4,00			--
0016	VTDD00433	NUT M10 TEF	2,00			--
0017	LAFN06362	UP STEERING CT110	1,00			--
0018	837287	SCREW, TE, M6X20, UNI5733, INOX	6,00			--
0019	LAFN06508	BRACKET PIANTONE	1,00			--
0020	837396	SPROCKET, STEERING	1,00			--
0021	VTYT00062	SCREW TSCE UNI 5333 6X25 ZB	5,00			--
0022	LAFN06373	BRAKE CT110	1,00			--
0023	837406	SPACER, RND, 6,5B 12D 10	5,00			--
0024	VTYT00263	SCREW TSPEI M10X30	4,00			--
0026	837180	SCREW, M4X10, TCE, TC, INOX	5,00			--
0027	837156	WASHER, D. 4, INOX	5,00			--
0028	837243	SCREW TE M8X35 UNI5733 INOX	5,00			--
0029	837216	WASHER, D. 8, GRW, UNI1751, INOX	5,00			--
0030	837397	JOINT, STEERING	1,00			--
0031	LAFN06374	SHAFT STERZO	1,00			--
0032	VTYR75747	RING NUT AUTOBLOK M35X1,5 GUK	1,00			--
0033	837316	SCREW, TE, M8X20, UNI5733, INOX	4,00			--
0034	837283	SUPPORT	1,00			--
0035	837216	WASHER, D. 8, GRW, UNI1751, INOX	2,00			--
0036	837152	WASHER, D.8, UNI6592, INOX	2,00			--
0037	837305	WASHER, M6X24, UNI6593, INOX	1,00			--
0038	837128	SCREW TE 6X16 UNI5733	1,00			--
0039	837393	SCREW, TE, M10X25, UNI5740	2,00			--
0040	LAFN04144	WASHER RUOTE POSTERIORI	2,00			--
0041	RTRT00539	WHEEL REAR PU D.300 CT110	2,00			--
0042	LAFN06360	FRAME CT110	1,00			--
0043	LAFN06427	LEVER CT110	1,00			--
0044	837184	SCREW, TE, M8X16, UNI5733, A2	1,00			--
0045	VTRS00502	WASHER D. 5 0.466 UNI 6592	1,00			--



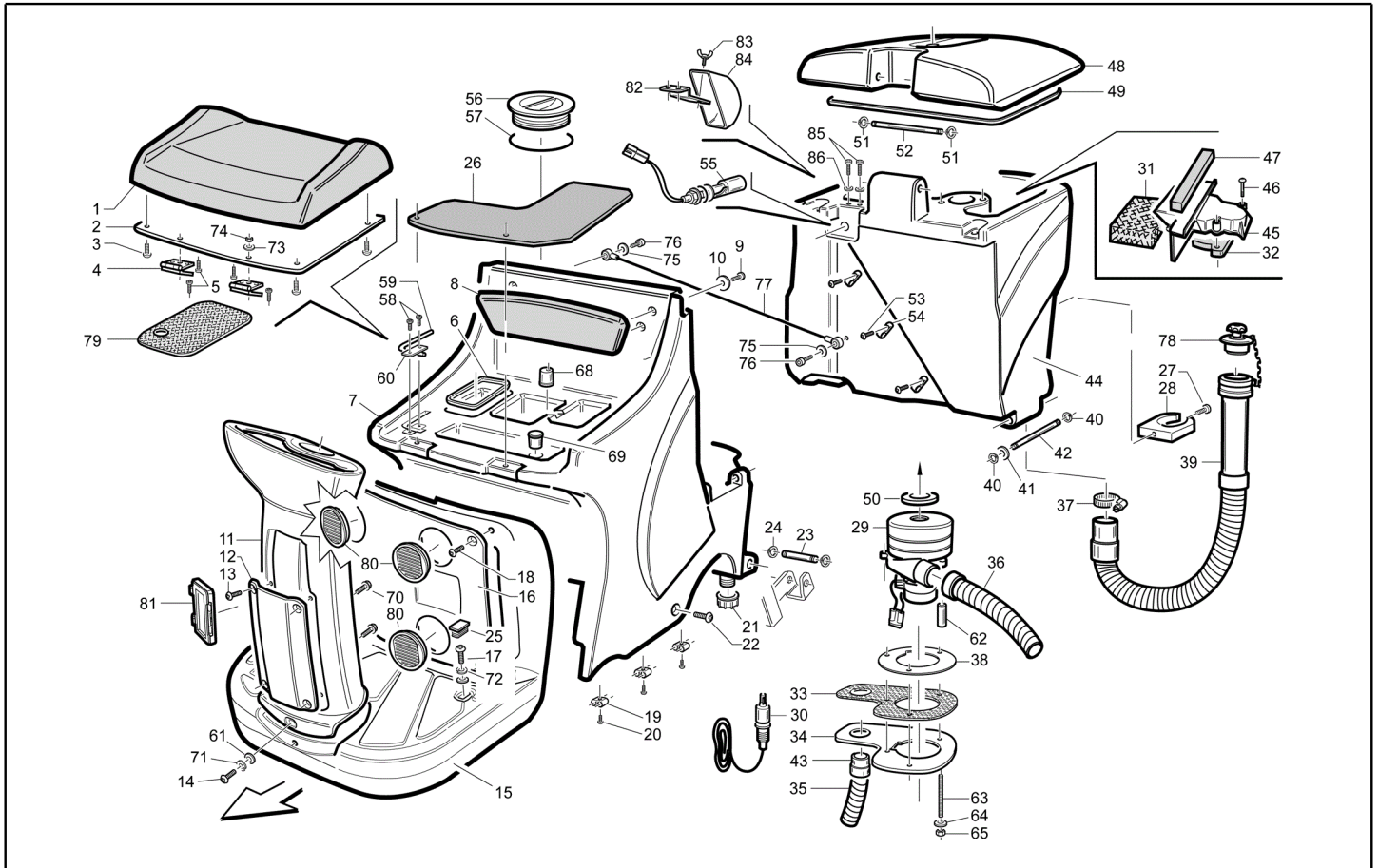
Ref. K	Part N.	Description	Quantity	Validity		Price
				From	To	
0046	3001153	SCREW TE FR 5X12 ZB	1,00			--
0047	LAFN06522	PLATE CT110	1,00			--
0048	LAFN06523	SPACER Ø48 X Ø36,5 X 20	1,00			--
0049	CUVR00120	BEARING 6007-2RS1	2,00			--
0050	LAFN06387	BUSHING STERZO	2,00			--
0051	VTAE00018	SEEGER E25x1,2 DIN471	2,00			--
0052	LAFN75911	SPACER D.12 H.7	1,00			--
0053	897120	WASHER, D.8X24, UNI6593, INOX	1,00			--
0054	897152	WASHER, D.8, UNI6592, INOX	4,00			--
0055	897106	WASHER, FLAT, 6,00 X 11,00 X 1,6, S3	6,00			--
0056	897334	DUCT LOCK D.9,5	2,00			--
0057	897180	SCREW, M4X10, TCB, TC, INOX	2,00			--
0058	897364	CLAMP, STL, 16D, INSULATED	1,00			--
0059	897129	WASHER, D.6, GRW, UNI1751, INOX	1,00			--
0060	897130	SCREW, TE, M6X12, UNI5733, A2	1,00			--
0061	LAFN06364	PLATE STERZO	1,00			--
0062	897417	CAP, WHEEL, PYP	2,00			--
0063	LAFN08935	ARM PORTA RUOTA TERGI P165	2,00			--
0064	897232	SCREW, TE, M8X50, INOX, A2	1,00			--
0065	LAFN11085	PROTECTION -	1,00			--
0066	897152	WASHER, D.8, UNI6592, INOX	1,00			--
0067	897124	NUT, M8, INOX	1,00			--
0068	VTRS00503	WASHER D. 6 UNI 6798	3,00			--
0069	VTDD00431	NUT M 6 TEF	3,00			--



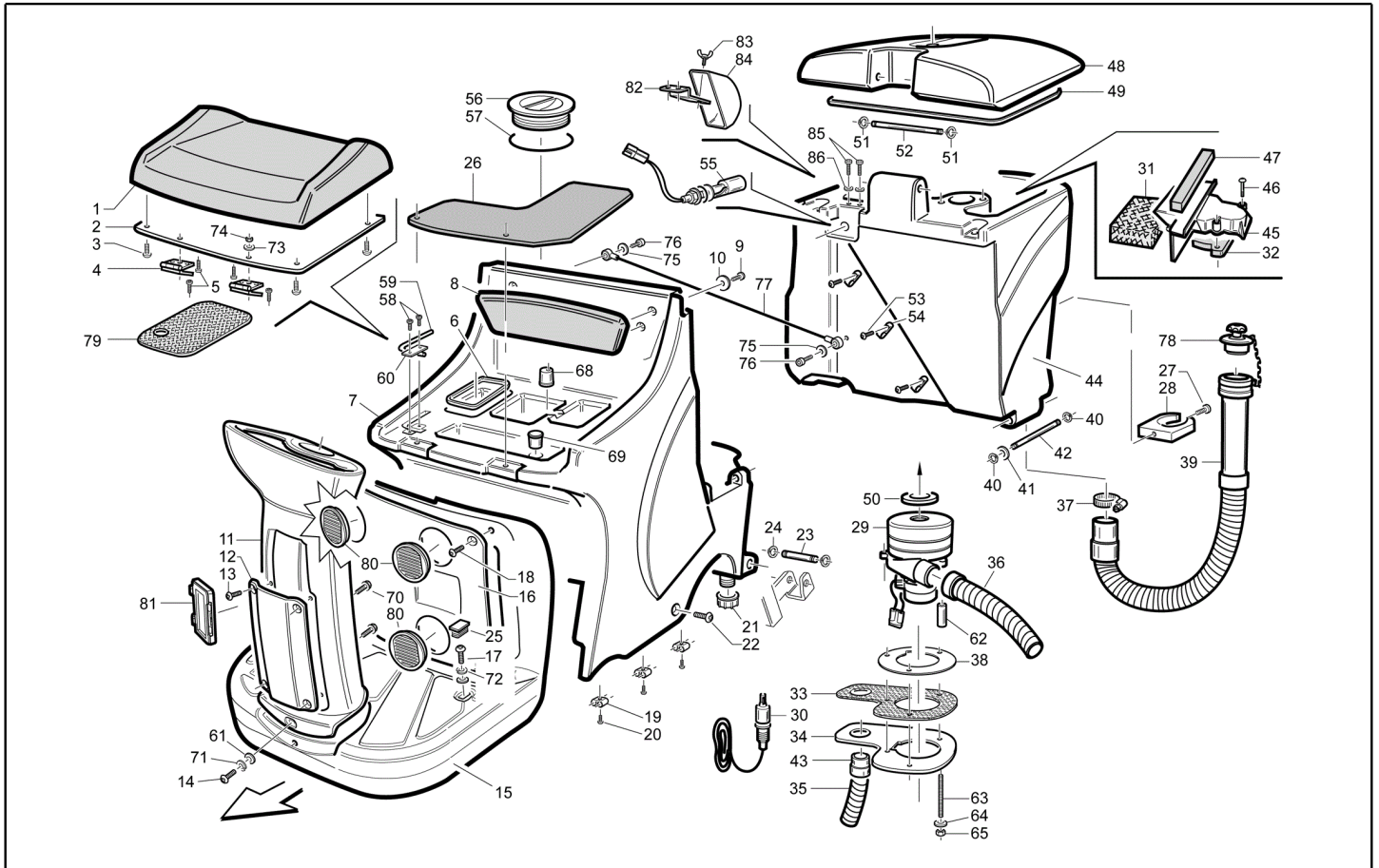
Ref. K	Part N.	Description	Quantity	Validity		Price
				From	To	
0001	PMVR01420	BOARD CT110	1,00			--
0002	1011402	SWITCH KEY FOR BATTERY MACHINES	1,00			--
0003	MECI00028	SWITCH EMERGENCY 24V - RED	1,00			--
0004	KTRI01935	KIT 1050-1202	1,00			--
0005	PMVR01420	BOARD CT110	1,00			--
0006	KTRI05576	KIT POTENTIOMETER SPEED CONTR	1,00			--
0007	837246	SCREW, TE, M8X30, UNIST33, INOX	1,00			--
0008	VTDD01701	NUT M8 INOX+ZIN.	1,00			--
0009	VTYT00727	SCREW TE M. 4-20	2,00			--
0010	MECE00451	BOARD CONTROL PANEL CT110	1,00			--
0011	LAFN06429	PEDAL CT110	1,00			--
0012	837128	SCREW TE 6X16 UNIST33	2,00			--
0013	837125	NUT, M6, INOX	2,00			--
0014	3001159	SCREW TE FR 5X12 ZB	4,00			--
0015	LAFN06521	SUPPORT ACCELERATORE	1,00			--
0016	VTYT00311	GRUB SCREW M4X8	1,00			--
0017	VTYT00727	SCREW TE M. 4-20	2,00			--
0018	LAFN06371	CONNECTING ROD POTENZIOMETRO	1,00			--
0019	MLML00327	SPRING -	1,00			--
0020	MPVR05786	BUSHING	1,00			--
0021	MEVR01700	POTENTIOMETER 0-5K	1,00			--
0022	MEVR02058	LED -	1,00			--
0023	MECE00450	BOARD TRACTION CURTIS CT110	1,00			--
0025	MEEV00044	SOLENOID VALVE	1,00			--
0026	MEVR00146	FUSE-HOLDER MEGA	1,00			--
0027	MECE00575	BOARD MOS CT110	1,00			--
0028	MECB01039	CABLE FLAT	1,00			--
0029	METT45116	CONTACTOR T106P 24V 100%	2,00			--
0030	LAFN06503	PLATE ELETTRONICA	1,00			--
0032	3001159	SCREW TE FR 5X12 ZB	8,00			--
0033	3001159	SCREW TE FR 5X12 ZB	4,00			--
0034	MPVR05217	CONTAINER BATTERIA	1,00			--
0035	MECB02046	WIRING CT110	1,00			--
0036	3017872	BATTERY 6V 180Ah/C5 GEL IPC	4,00			--
0037	837205	WIRING BATTERY BRIDGE W/TERMINAL	3,00			--
0038	MECB01015	WIRING CT110	1,00			--
0039	KTRI02222	KIT CT110	1,00			--
0041	3018331	FUSE A LAMA 2 A. UNIVAl	1,00			--
0042	837648	FUSE 25A	1,00			--
0043	MEVR00584	FUSE 3A	1,00			--
0044	MEVR00584	FUSE 3A	1,00			--
0045	MEVR00584	FUSE 3A	1,00			--
0046	837445	SWITCH, SENSOR, SEAT	1,00			--
0047	837298	PLUG M CB50 A 600V RD.	1,00			--



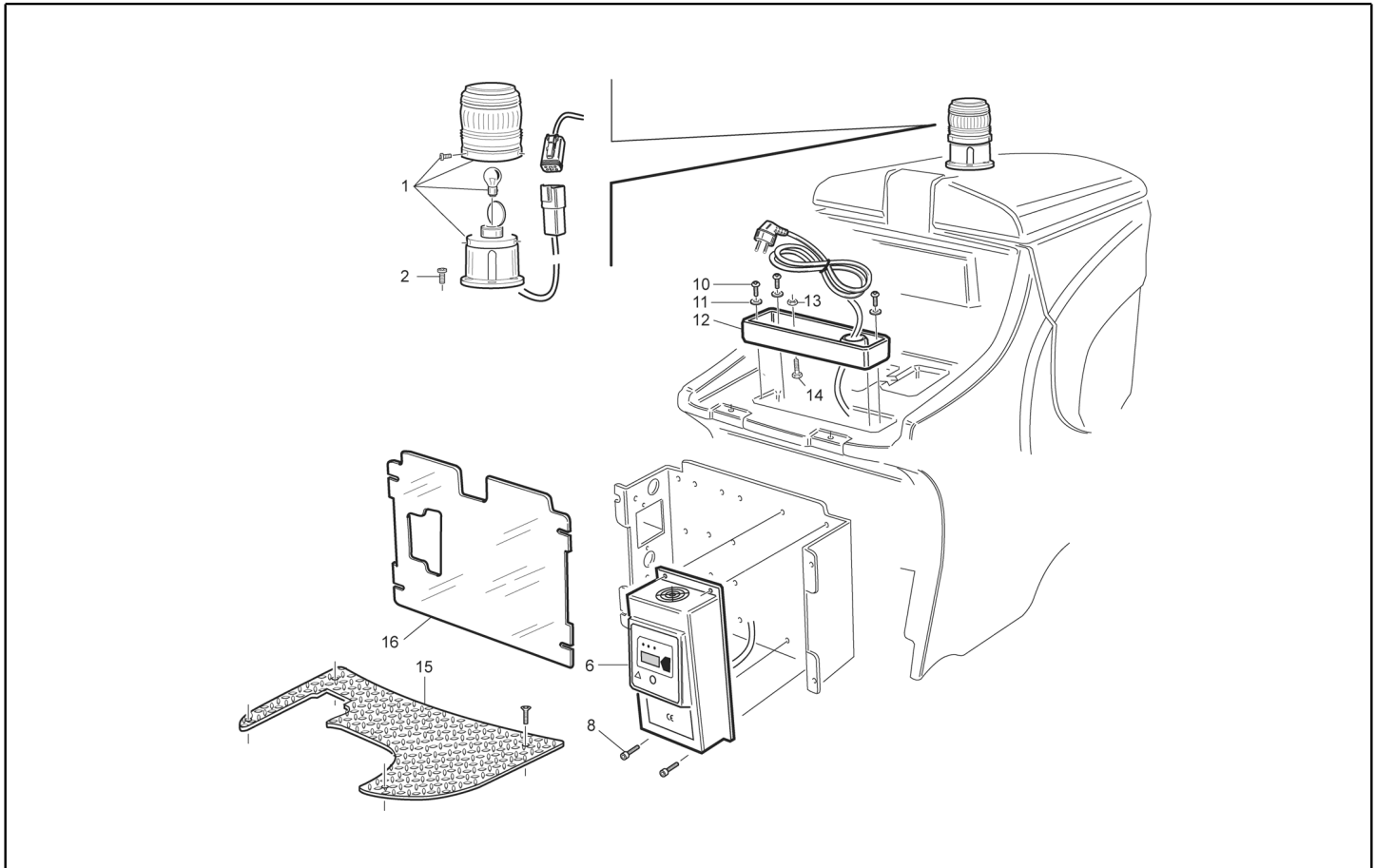
Ref. K	Part N.	Description	Quantity	Validity		Price
				From	To	
0051	MECB01015	WIRING CT110	1,00			--
0052	MECI00535	SENSOR -	1,00			--
0053	LAFN06386	SUPPORT -	1,00			--
0054	837128	SCREW TE 6X16 UNI5739	2,00			--
0055	837129	WASHER, D.6, GRW, UNI751, INOX	2,00			--
0056	MEVR00145	FUSE 100A	1,00			--
0057	MEVR47082	INSULATOR MM35 M6 CH 32	1,00			--
0058	MECE00456	RELAY CT110	4,00			--
0059	3001153	SCREW TE FR 5X12 ZB	2,00			--
0060	MPVR05235	COVER -	1,00			--
0061	3001153	SCREW TE FR 5X12 ZB	2,00			--
0062	GUYR00292	GASKET CT110	1,00			--
0063	LAFN07362	PLATE ANDERSON	1,00			--
0064	837193	MICROSWITCH CHARGING PLUG	1,00			--
0065	837201	SCREW, TC, M.2X16, BRASS	2,00			--
0066	837198	NUT, M2	2,00			--
0067	VTYT01350	SCREW M3-20 INOX	2,00			--
0068	837193	WASHER, D. 3, INOX	2,00			--
0069	MECI00532	CONTACTOR 24V-100A	1,00			--
0070	LAFN07743	BRACKET -	1,00			--
0071	VTYT01669	SCREW M4x6 UNI5739 ant cl.4.8	2,00			--
0072	VTRS00501	WASHER D. 4 0.232 UNI 6532	2,00			--
0073	837512	FUSE, HOLDER	1,00			--
0074	MEVR02042	FUSE 30A NST.	1,00			--
0075	VTYT00079	SCREW AUTOF.TC UNI6954 3,3X22	1,00			--
0076	837165	NUT, M5, INOX	2,00			--
0077	837459	SCREW, M5X12, TE, INOX	2,00			--
0078	MEVR00613	FUSE CARRIER MAXIVAL with cover	3,00			--
0079	3017815	FUSE, 030A	3,00			--
0081	MECE00456	RELAY CT110	1,00			--
0083	MEVR00344	FUSE 4A	1,00			--
0084	MEVR01387	BODY SENZA TERMINALI	1,00			--
0085	MPVR06118	PIN FUSE HOLDER	1,00			--
0086	MEVR01383	COVER PVC TRASP.	1,00			--
0087	KTRI01585	KIT ACCELERATOR PEDAL CT110	1,00			--
0088	GUYR00286	GASKET CT110	1,00			--
0089	3017815	FUSE, 030A	3,00			--



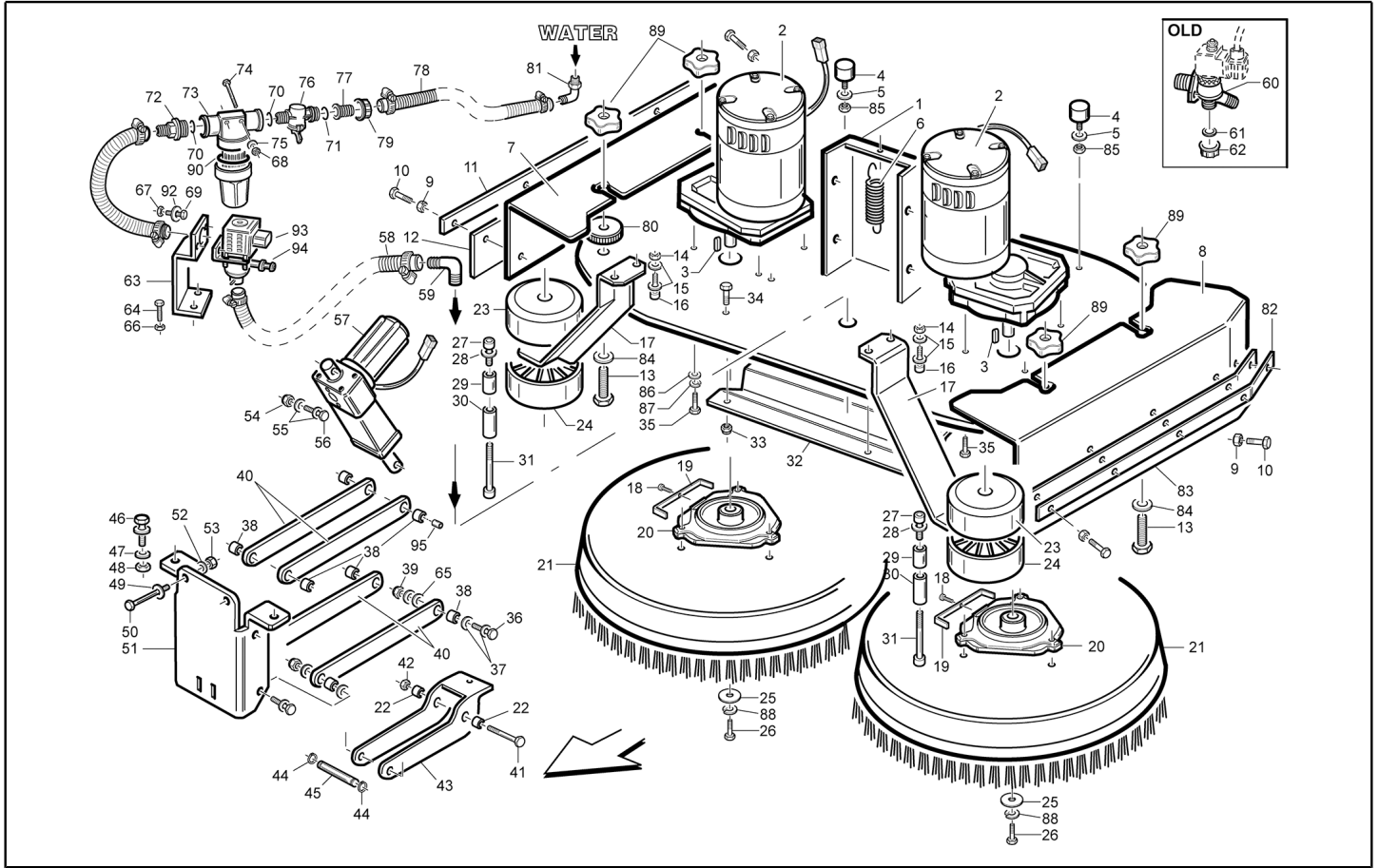
Ref. K	Part N.	Description	Quantity	Validity		Price
				From	To	
0001	837444	SEAT [2180SR]	1,00			--
0002	LAFN06430	PLATE CT110	1,00			--
0003	837128	SCREW TE 6X16 UNI5733	4,00			--
0004	CEVR00060	HINGE PORTA SEDILE P185	2,00			--
0005	VTYT01317	SCREW M 5X 12 TSPEI UNI 5333	4,00			--
0006	GLVR00284	GASKET CT110	1,00			--
0007	MPVR05632	TANK CT110	1,00			--
0008	SESD00020	BACKREST CLEANTIME	1,00			--
0009	VTYT00433	SCREW TE M 6X 30 UNI 5733 INX	2,00			--
0010	837112	Washer, FLAT, 6,00 X 18,00 X 1,6	4,00			--
0011	MPVR12456	SIDE PANEL CT110	1,00			--
0012	MPVR05205	COVER SCHEDA POTENZA	1,00			--
0013	9001159	SCREW TE FR 5X12 ZB	4,00			--
0014	837450	SCREW TE M6X45 INOX	1,00			--
0015	MPVR05631	PLANE CT110	1,00			--
0016	MPVR05206	COVER PANNELLO ELETTRONICA	1,00			--
0017	VTYT00433	SCREW TE M 6X 30 UNI 5733 INX	2,00			--
0018	9001159	SCREW TE FR 5X12 ZB	4,00			--
0019	FSVR00243	BASE CABLE TIE, PLASTIC	3,00			--
0020	837180	SCREW, M4X10, TCB, TC, INOX	3,00			--
0021	9017802	CAP KIT, DRAIN PLUG W/GASKET	1,00			--
0022	9001159	SCREW TE FR 5X12 ZB	1,00			--
0023	LAFN06433	PIN ROTAZIONE	2,00			--
0024	VTAE06761	CIRCLIP D. 18 UNI 7435	4,00			--
0025	MPVR05314	CAP STR35X25	2,00			--
0026	MPVR05315	ROD CT110	1,00			--
0027	837359	SCREW, TCTC, M4X16, ACCIAIO, INOX	1,00			--
0028	MPVR05252	CLIP D.60	1,00			--
0029	9017687	BR, BRUSH, MOTOR, VACFAN	1,00			--
0029	MOCC000273	MOTOR VACUUM 3ST 24V	1,00			--
0030	9017790	SENSOR, LEVEL, LIQ	1,00			--
0031	9017713	FILTER, VACUUM	1,00			--
0032	837158	GASKET SCATOLA ASPIRAZIONE	1,00			--
0033	837143	SOUND, PROOFING ASPIRATORE	1,00			--
0034	837133	FLANGE ASPIRATORE	1,00			--
0035	TBFX00244	TUBE D 34 L200MM	1,00			--
0036	TBFX00244	TUBE D 34 L200MM	1,00			--
0037	837448	CLAMP, HOSE, WORMDRIVE, 45 - 60D	1,00			--
0038	837136	FLANGE, NYLON	1,00			--
0039	TBFX00362	TUBE PU	1,00			--
0040	612613	SEEGER ESTERNO DIN 471 D.8	2,00			--
0041	837152	WASHER, D.8, UNI6592, INOX	1,00			--
0042	LAFN06434	PIN ROTAZIONE	1,00			--
0043	MPVR31077	BUSHING L.450	1,00			--



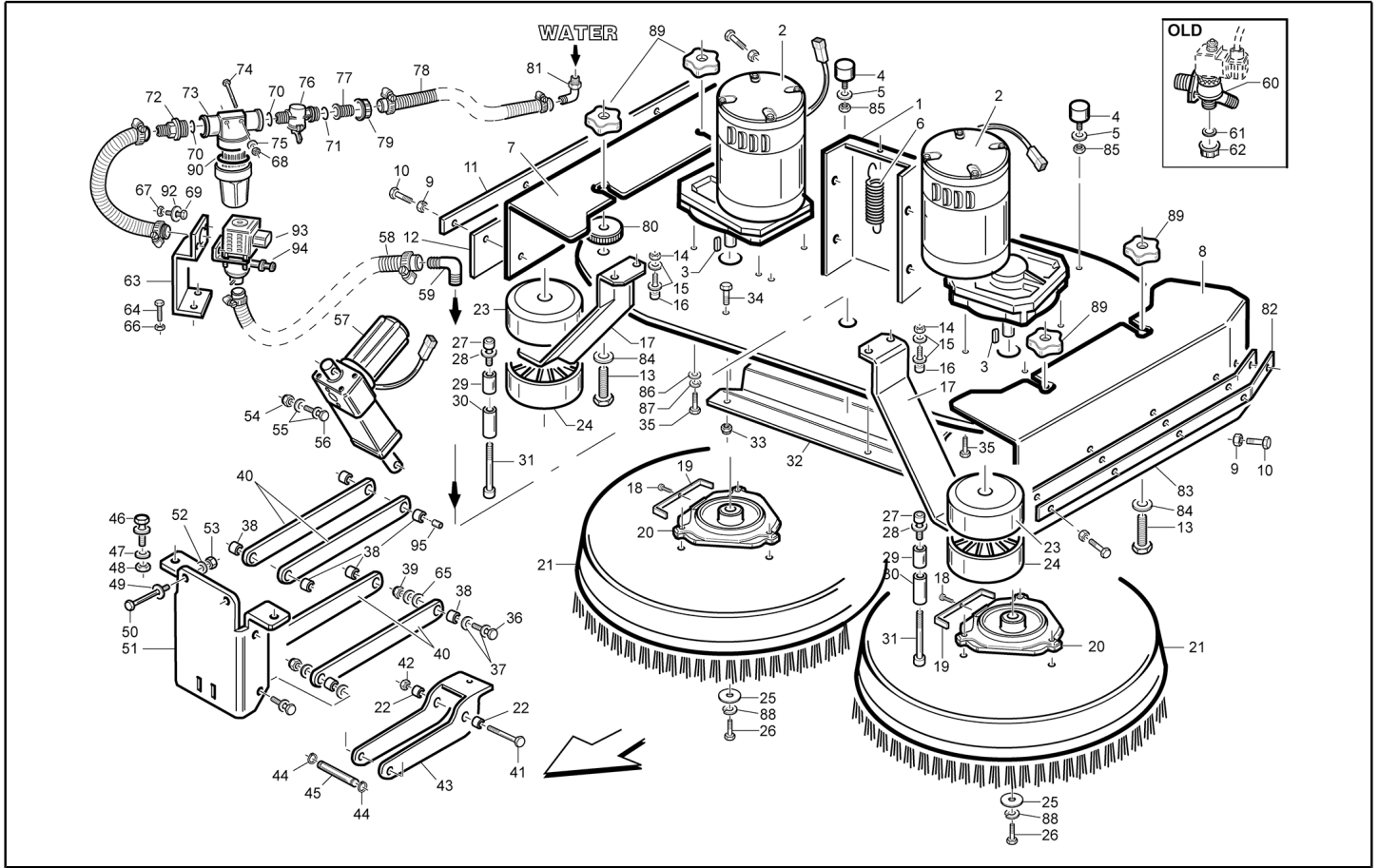
Ref. K	Part N.	Description	Quantity	Validity		Price
				From	To	
0044	MPVR12457	TANK CT110	1,00			--
0045	837153	BOX	1,00			--
0046	VTVT01325	SCREW TCEI 5X35 INOX UNI5931	2,00			--
0047	837161	GASKET CONDOTTO ASPIRAZIONE	1,00			--
0048	MPVR12458	COVER CT110	1,00			--
0049	GUVR00272	GASKET CT110	1,00			--
0050	3017714	GASKET, MOTOR, VACUUM	1,00			--
0051	VTVR00536	SEEGER 8	2,00			--
0052	LAFN06509	PIN ROTAZIONE	1,00			--
0053	837180	SCREW, M4X10, TCB, TC, INOX	3,00			--
0054	837334	DUCT LOCK D.3,5	3,00			--
0055	3017737	FLOAT, SHUTOFF	1,00			--
0058	VTVT00849	SCREW M 4X 10 TSPEI INOX U.5933	2,00			--
0059	LAFN06431	ROD CT110	1,00			--
0060	LAFN06432	PLATE CT110	1,00			--
0061	837112	Washer, FLAT, 6,00 X 18,00 X 1,6	1,00			--
0062	LAFN51077	SPACER PH	3,00			--
0063	VTVT00785	ROD FILETTO	3,00			--
0064	837112	Washer, FLAT, 6,00 X 18,00 X 1,6	3,00			--
0065	837125	NUT, M6, INOX	3,00			--
0068	MPVR05273	CAP CT110	1,00			--
0069	MPVR07079	CAP D.55	1,00			--
0070	15678	SCREW TE FR 6X16 ZB ZIGRINATE	4,00			--
0071	837129	WASHER, D.6, GRW, UNI1751, INOX	1,00			--
0072	837129	WASHER, D.6, GRW, UNI1751, INOX	2,00			--
0073	YTRS00502	WASHER D. 5 0.466 UNI 6592	2,00			--
0074	VTDD15517	NUT M 5 INX	2,00			--
0075	837152	WASHER, D.8, UNI6592, INOX	4,00			--
0076	837316	SCREW, TE, M8X20, UNI5733, INOX	2,00			--
0077	CMCY00427	CABLE CT 110	1,00			--
0078	MPVR05380	CAP REC.TANK DRAIN HOSE CT110	1,00			--
0079	GUGD00313	MOUSSE CT110	1,00			--
0080	LAFN02931	BRACKET FAN COOLER	2,00			--
0081	MEVR00232	DOOR TO REMOVE AND RESET FUSE	1,00			--
0082	LAFN07737	BRACKET -	1,00			--
0083	837169	SCREW, M4X10	1,00			--
0084	837168	PROTECTION	1,00			--
0085	837181	SCREW, M5X16, TCB, TC, UNI7687	2,00			--
0086	837644	WASHER D. 5 INX GRW UNI 1751	2,00			--



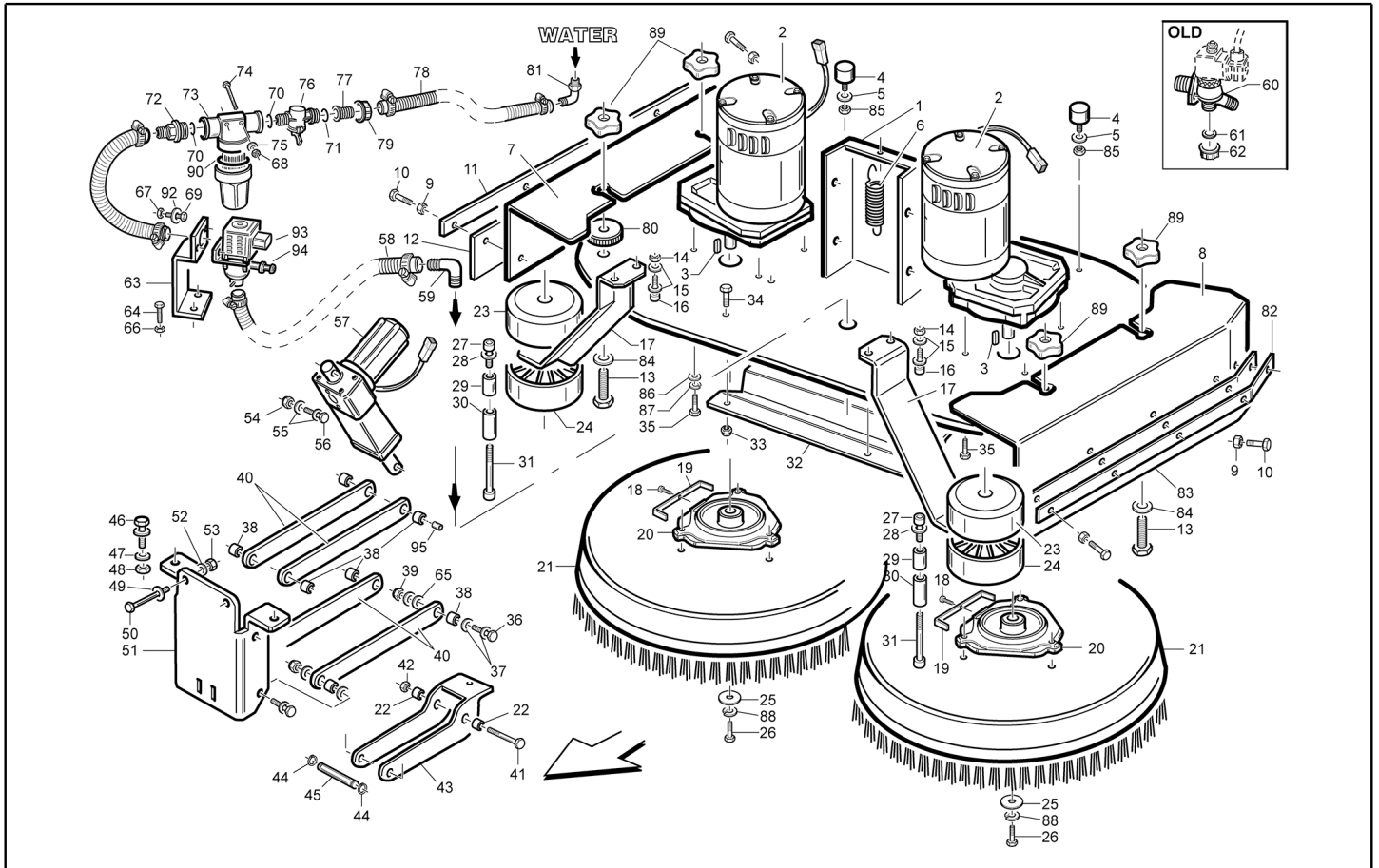
Ref. K	Part N.	Description	Quantity	Validity		Price
				From	To	
0001	MEVR00935	FLASHING LIGHT G1050	1,00			--
0002	VTVT35376	SCREW TCB-TC 3.5X25	3,00			--
0006	BACA00158	BATTERY-CHARGER CBHD3 24V 25A EU	1,00			--
0008	837459	SCREW, M5X12, TE, INOX	3,00			--
0010	VTVT07852	SCREW TCB-TC 4,8X16 BRN	4,00			--
0011	837166	WASHER, D, 5, INOX	4,00			--
0012	MPVR05213	CONTAINER -	1,00			--
0015	LAFN07414	PLANE CT110	1,00			--
0016	MPVR06433	PROTECTION -	1,00			--



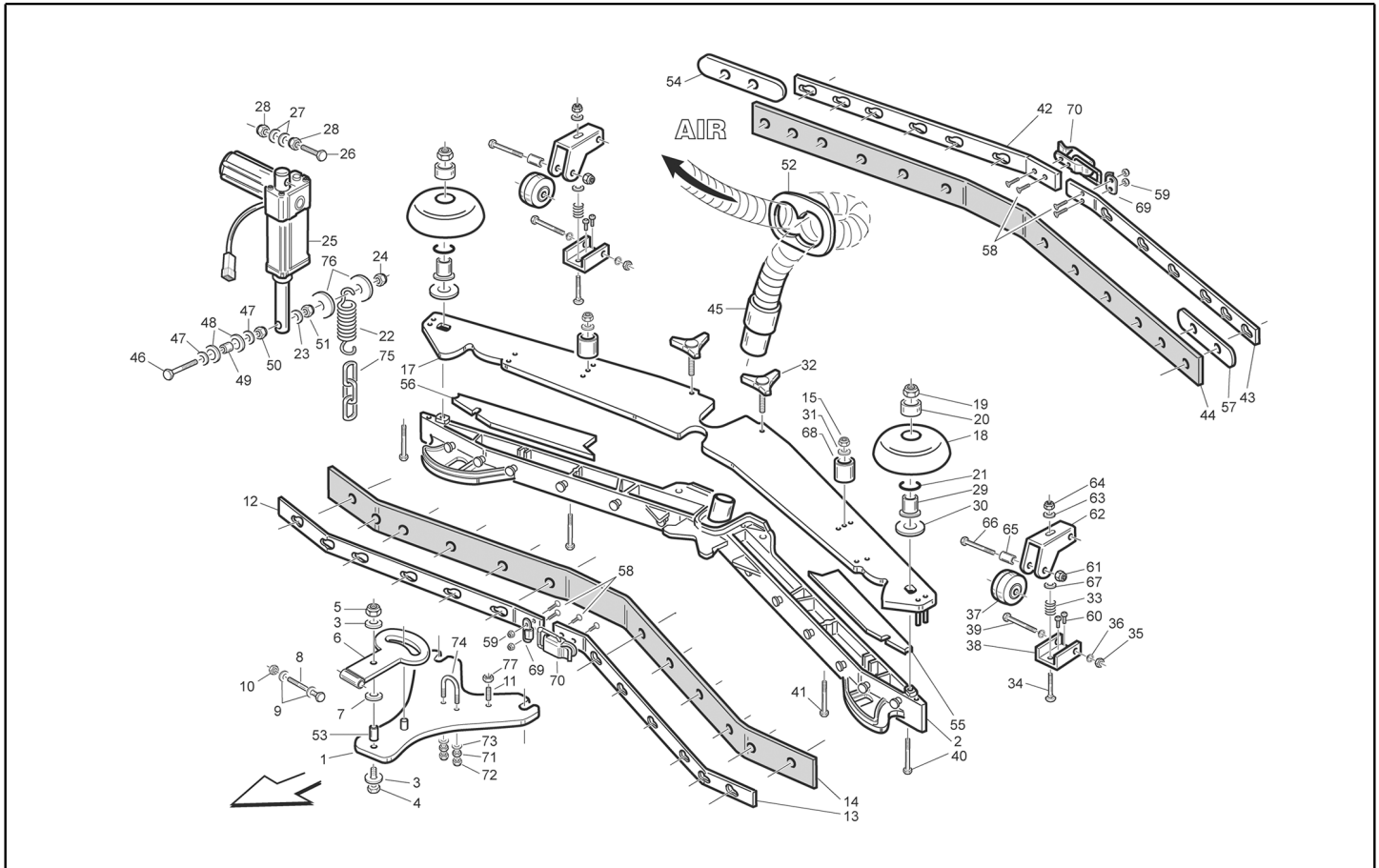
Ref. K	Part N.	Description	Quantity	Validity		Price
				From	To	
0001	LAFN11038	PLATE -	1,00			--
0002	MOCC00330	MOTOR -	2,00			--
0002	9017686	VR, BRUSH KIT, MOTOR, BRUSH	1,00			--
0003	897374	KEY, SQ, 6 X 6 X 30L	2,00			--
0004	ABGD00019	VIBRATION DAMP. 40x30 M8x2845 SH	2,00			--
0005	897216	WASHER, D. 8, GR'w, UNI1751, INOX	2,00			--
0006	MLML00241	SPRING BRUSH PRES. CT110-160-230	1,00			--
0007	LAFN07047	FLANGE -	1,00			--
0008	LAFN07049	FLANGE -	1,00			--
0009	897138	NUT, M6, INOX	10,00			--
0010	897128	SCREW TE 6X16 UNI5739	10,00			--
0011	LAFN07082	FLANGE -	1,00			--
0012	MPVR05168	FLAP RH SIDE SKIRT BT85	1,00			--
0013	VTVT01167	SCREW TCB T 5X30	4,00			--
0015	897216	WASHER, D. 8, GR'w, UNI1751, INOX	4,00			--
0016	897316	SCREW, TE, M8X20, UNI5739, INOX	4,00			--
0017	LAFN06502	SUPPORT SIDE BUMPER WHEEL BT85	2,00			--
0018	897313	SCREW, TCB, TC, M4X10	2,00			--
0019	897314	SPRING RETAINING, BRUSH DRIVER	2,00			--
0020	LAFN03139	DRIVE DISK -	2,00			--
0021	SPPV01516	BRUSH APC D. 410 PP 0,65	2,00			--
0022	LAFN04187	SPACER PER RIDUTTORE	2,00			--
0023	RTRT00510	WHEEL ANTIRIBALTAMENTO	2,00			--
0024	RTRT00510	WHEEL ANTIRIBALTAMENTO	2,00			--
0025	897120	WASHER, D.8X24, UNI6593, INOX	2,00			--
0026	897316	SCREW, TE, M8X20, UNI5739, INOX	2,00			--
0027	VTVT01118	SCREW TCEI M 8X16 2C, UNI 5331	2,00			--
0028	897152	WASHER, D.8, UNI6592, INOX	2,00			--
0029	LAFN06472	PIN RUOTA	2,00			--
0030	LAFN07060	SPACER RUOTA A PARACOLPI	2,00			--
0031	VTVT03650	SCREW TCEI 8X50 UNI5931	2,00			--
0032	MPVR11548	CONVEYOR 820	1,00			--
0033	897138	NUT, M6, INOX	4,00			--
0034	897128	SCREW TE 6X16 UNI5739	4,00			--
0035	897128	SCREW TE 6X16 UNI5739	8,00			--
0036	897246	SCREW, TE, M8X30, UNI5739, INOX	4,00			--
0037	897152	WASHER, D.8, UNI6592, INOX	16,00			--
0038	CUVR00130	BEARING STRISCIAMENTO	8,00			--
0039	897229	NUT, M8, UNI5588, INOX, A2	4,00			--
0040	LAFN11145	LEVER HEAD CT110	4,00			--
0041	VTVT01684	SCREW TE 6X45	2,00			--
0042	897125	NUT, M6, INOX	1,00			--
0043	LAFN07636	ARM -	1,00			--
0044	VTAE13511	CIRCLIP D. 10 UNI 7435	2,00			--



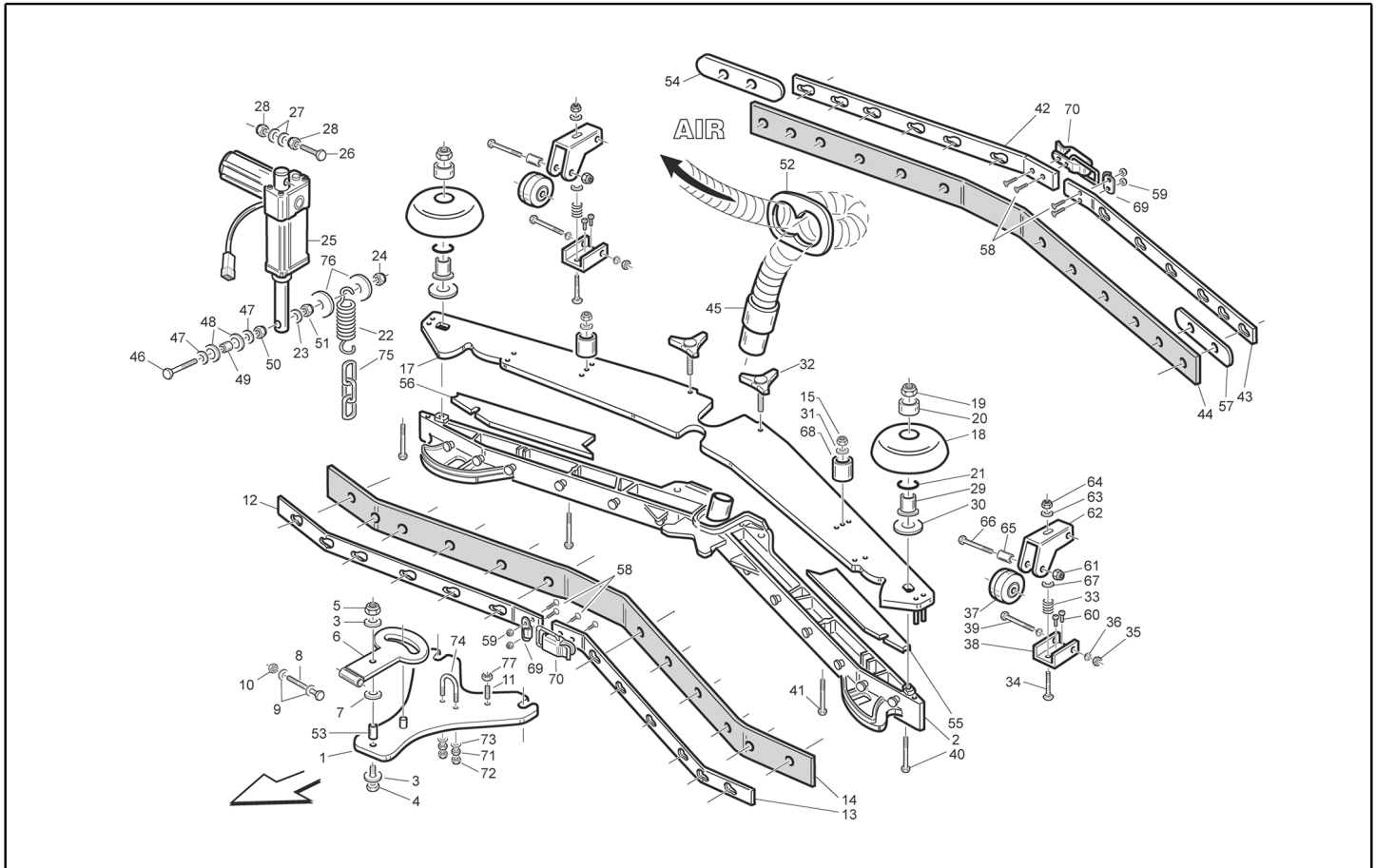
Ref. K	Part N.	Description	Quantity	Validity		Price
				From	To	
0045	LAFN51065	PIN INFER.ATTUAT.TEST.	1,00			--
0046	897246	SCREW, TE, M8X30, UNI5733, INOX	2,00			--
0047	897152	WASHER, D.8, UNI6592, INOX	8,00			--
0048	VTDD01636	NUT M 8 INX	4,00			--
0049	897152	WASHER, D.8, UNI6592, INOX	8,00			--
0050	897246	SCREW, TE, M8X30, UNI5733, INOX	2,00			--
0051	LAFN06383	ARM TEST ATA	1,00			--
0052	897152	WASHER, D.8, UNI6592, INOX	2,00			--
0053	897138	NUT, M6, INOX	2,00			--
0054	897229	NUT, M8, UNI5588, INOX, A2	1,00			--
0055	897120	WASHER, D.8X24, UNI6593, INOX	2,00			--
0056	897243	SCREW TE M8X35 UNI5733 INOX	1,00			--
0057	MOCC00323	ACTUATOR BRUSH HEAD CT110	1,00			--
0058	897256	TUBE FLEX D.12X3 ARMORV.PVC TR	0,18			--
0059	RCVR45752	HOSE FITTING "L" 3/8M - D.10 PLS.	1,00			--
0063	LAFN05835	BRACKET PORTALETTRORVALVOLA	1,00			--
0064	897130	SCREW, TE, M6X12, UNI5733, A2	1,00			--
0065	897120	WASHER, D.8X24, UNI6593, INOX	2,00			--
0066	897125	NUT, M6, INOX	1,00			--
0067	897160	NUT, M4, INOX, ZN	2,00			--
0068	897138	NUT, M6, INOX	2,00			--
0069	897453	SCREW, TE, M4X12, UNI5733, INOX	2,00			--
0070	GUGO36230	O-RING D. 17.04 X 3.53 NBR 70SH	2,00			--
0071	GUGO00427	GASKET -	1,00			--
0072	RCVR00540	CONNECTOR	1,00			--
0073	FTAC00038	FILTER SOLUTION TANK G1/2	1,00			--
0074	VTVT00639	SCREW TE M. 6-70	2,00			--
0075	897112	Washer, FLAT, 6,00 X 18,00 X 1,6	2,00			--
0076	9018454	VALVE, SOLTN, 24VDC	1,00			--
0077	RCVR00744	CONNECTOR -	1,00			--
0078	897256	TUBE FLEX D.12X3 ARMORV.PVC TR	0,45			--
0079	MPVR05240	RING NUT G1/2	1,00			--
0080	MPVR05312	ROD M12	4,00			--
0081	RCVR00109	CURVE 90°	1,00			--
0082	LAFN07083	FLANGE -	1,00			--
0083	MPVR05169	FLAP SX TESTATA 820	1,00			--
0084	897215	WASHER, D.12X24, UNI6592, INOX	2,00			--
0085	897229	NUT, M8, UNI5588, INOX, A2	2,00			--
0086	897112	Washer, FLAT, 6,00 X 18,00 X 1,6	8,00			--
0087	897129	WASHER, D.6, GRW, UNI1751, INOX	8,00			--
0088	897216	WASHER, D. 8, GRW, UNI1751, INOX	2,00			--
0089	MPVR05461	KNOB -	4,00			--
0090	GUVR00311	GASKET FTAC00038	1,00			--
0093	MEEV00044	SOLENOID VALVE	1,00			--



Ref. K	Part N.	Description	Quantity	Validity		Price
				From	To	
0034	MEEY00044	SOLENOID VALVE	1,00			--
0035	891526	BUSHING, SLEEVE, 8B 12D 15L	8,00			--



Ref. K	Part N.	Description	Quantity	Validity		Price
				From	To	
0001	LAFN09241	PLATE -	1,00			--
0002	KTRI02050	BODY SQUEEGEE PRESSOFUSO "XL"	1,00			--
0003	837120	WASHER, D.8X24, UNI6593, INOX	1,00			--
0004	837243	SCREW TE M8X35 UNI5733 INOX	1,00			--
0005	837124	NUT, M8, INOX	1,00			--
0006	LAFN09010	SUPPORT -	1,00			--
0007	837215	WASHER, D.12X24, UNI6592, INOX	1,00			--
0008	837535	SCREW	1,00			--
0009	837152	WASHER, D.8, UNI6592, INOX	2,00			--
0010	837124	NUT, M8, INOX	1,00			--
0011	VTVT01145		1,00			--
0012	LAFN09288	BLADE HOLDER FRONT RIGHT XL	1,00			--
0013	LAFN09289	BLADE HOLDER FRONT LEFT XL	1,00			--
0014	MPVR08041	BLADE XL LATEX	1,00			--
0015	837138	NUT, M6, INOX	4,00			--
0017	LAFN11267	PLATE SQUEEGEE XL	1,00			--
0018	837101	WHEEL, BMPP, 38,5d X 21,5w	2,00			--
0019	837138	NUT, M6, INOX	2,00			--
0020	837100	SLEEVE, NYLON, 0,314b 0,72d 0,35l	2,00			--
0021	837102	O-RING, 13.00 Od X 10.00 Id	2,00			--
0022	MLML00342	SPRING -	1,00			--
0023	837129	WASHER, D.6, GRW, UNI1751, INOX	2,00			--
0024	837138	NUT, M6, INOX	2,00			--
0025	MOCC00322	ACTUATOR SQUEEGEE CT110	1,00			--
0026	837232	SCREW, TE, M8X50, INOX, A2	1,00			--
0027	837152	WASHER, D.8, UNI6592, INOX	2,00			--
0028	837124	NUT, M8, INOX	2,00			--
0029	837103	SPACER, 6.00b 12.00d 16.5l, CPR	2,00			--
0030	837305	WASHER, M6X24, UNI6593, INOX	2,00			--
0031	837106	WASHER, FLAT, 6,00 X 11,00 X 1,6, SS	2,00			--
0032	3018577	KNOB, SQGE, 3EAR	2,00			--
0033	MLML43422	SPRING D.15X 45 X1	2,00			--
0034	VTVT01304	SCREW M 8X 40 TT@ST UNI 5731	2,00			--
0035	837138	NUT, M6, INOX	2,00			--
0036	VTAE45707	SEEGER RADIALE TIPO H UNIT434 D6	4,00			--
0037	RTRT00540	WHEEL D.8X32	2,00			--
0038	LAFN51069	BRACKET SUPP.RUOTINO SQUEEGEE	2,00			--
0039	837115	SCREW, M6 X 55, SS	2,00			--
0040	837114	SCREW, M6 X 65, SS	2,00			--
0041	837114	SCREW, M6 X 65, SS	2,00			--
0042	LAFN09290	BLADE HOLDER REAR RIGHT XL	1,00			--
0043	LAFN09291	BLADE HOLDER REAR LEFT XL	1,00			--
0044	MPVR08037	BLADE XL LATEX	1,00			--
0045	KTRI04639	KIT REPLACEMENT TBBP00402	1,00			--



Ref. K	Part N.	Description	Quantity	Validity		Price
				From	To	
0046	837421	SCREW TE M6X60 UNI5733 INOX	1,00			--
0047	VTRS07728	WASHER D. 6 INX	3,00			--
0048	837152	WASHER, D.8, UNI6592, INOX	2,00			--
0049	837231	BUSHING	1,00			--
0050	837125	NUT, M6, INOX	1,00			--
0051	837125	NUT, M6, INOX	1,00			--
0052	MPVR04659	FLANGE	1,00			--
0053	LAFN35608	SPACER S. BLOCK BT 530	1,00			--
0054	837307	CLOSURE L	1,00			--
0055	GUYR00304	GASKET -	1,00			--
0056	GUYR00305	GASKET -	1,00			--
0057	837307	CLOSURE L	1,00			--
0058	3018437	BOLT, STRAP, SQGE	8,00			--
0059	3018436	NUT, STRAP, SQGE	8,00			--
0060	VTVR01040	RIVET -	4,00			--
0061	837138	NUT, M6, INOX	2,00			--
0062	LAFN05559	SUPPORT RUOTINO	2,00			--
0063	837152	WASHER, D.8, UNI6592, INOX	2,00			--
0064	837124	NUT, M8, INOX	2,00			--
0065	TBBP00124	TUBE D 8/6	0,02			--
0066	837115	SCREW, M6 X 55, SS	2,00			--
0067	837152	WASHER, D.8, UNI6592, INOX	2,00			--
0068	MPVR06016	BRACKET -	2,00			--
0069	3018435	HOOK, STRAP, SQGE	2,00			--
0070	3018432	LATCH, STRAP, SQGE	2,00			--
0071	837405	NUT, M6, UNI5588, INOX, A2	2,00			--
0072	837138	NUT, M6, INOX	2,00			--
0073	837106	WASHER, FLAT, 6,00 X 11,00 X 1,6, SS	2,00			--
0074	837251	BRACKET, M6X11X29	1,00			--
0075	MTCR00029	SMALL CHAIN	0,02			--
0076	837112	Washer, FLAT, 6,00 X 18,00 X 1,6	2,00			--
0077	837229	NUT, M8, UNI5588, INOX, A2	1,00			--