



416S Parts Manual [Europe]

35CM MICRO WALK-BEHIND BATTERY FLOOR SCRUBBER

Model Part Number:

9017999 - SCRUBBER [416S BATTERY EMEA]

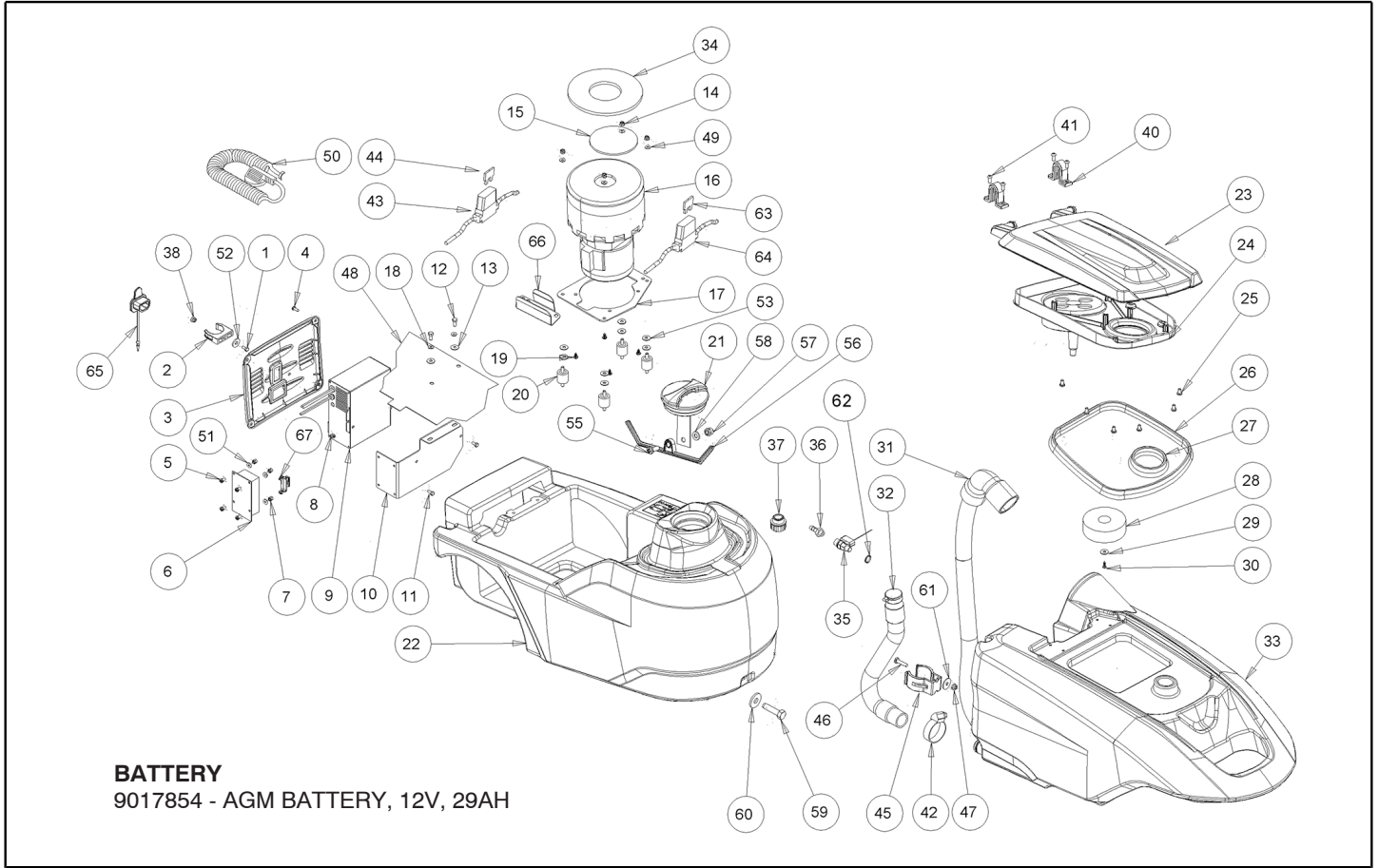
9018570 - SCRUBBER [416S BATTERY EMEA -TCS]

Contact:
Europe@tenantco.com

www.tenantco.com

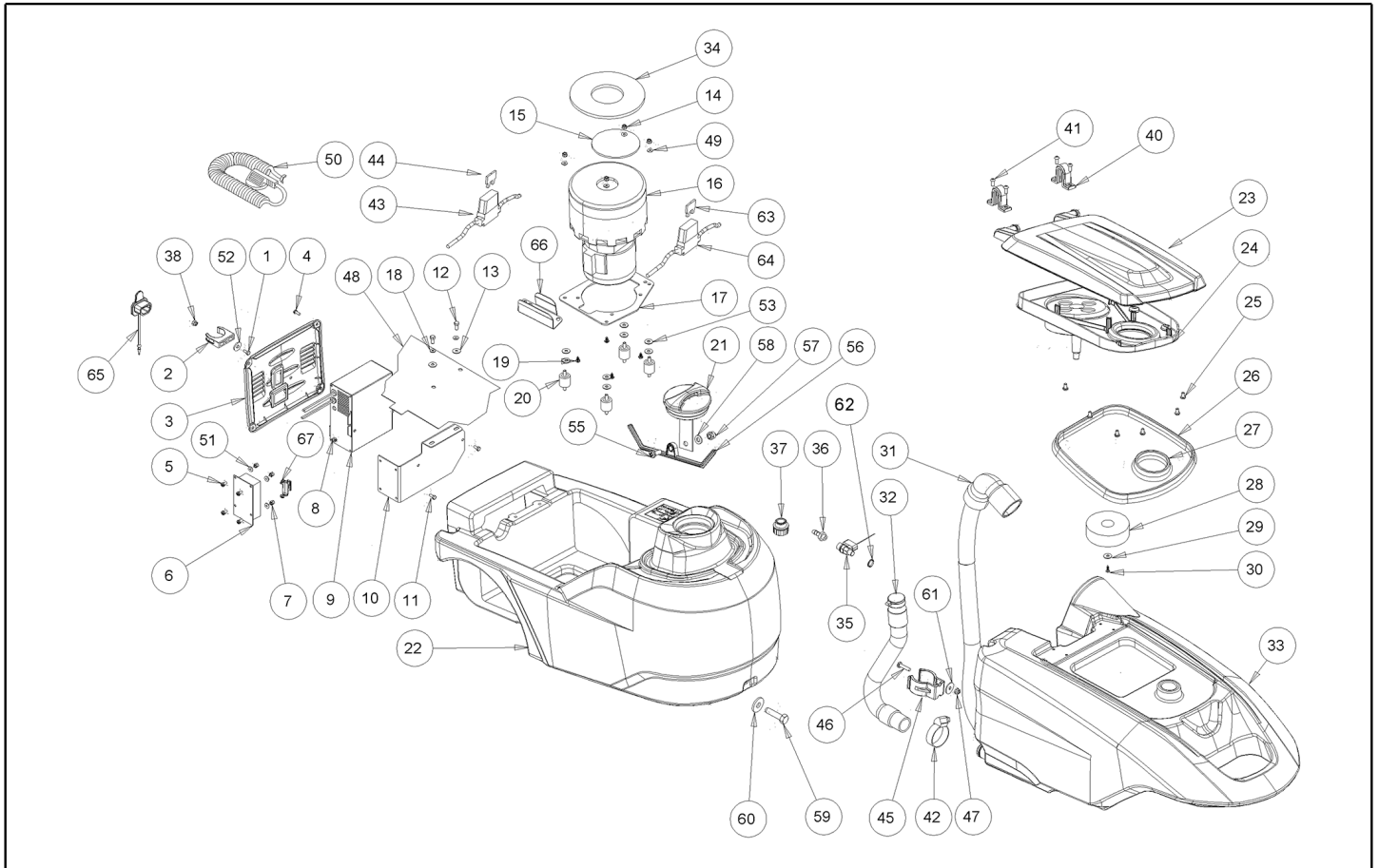
Rev 01
April 2019

Table: TANK ASM.



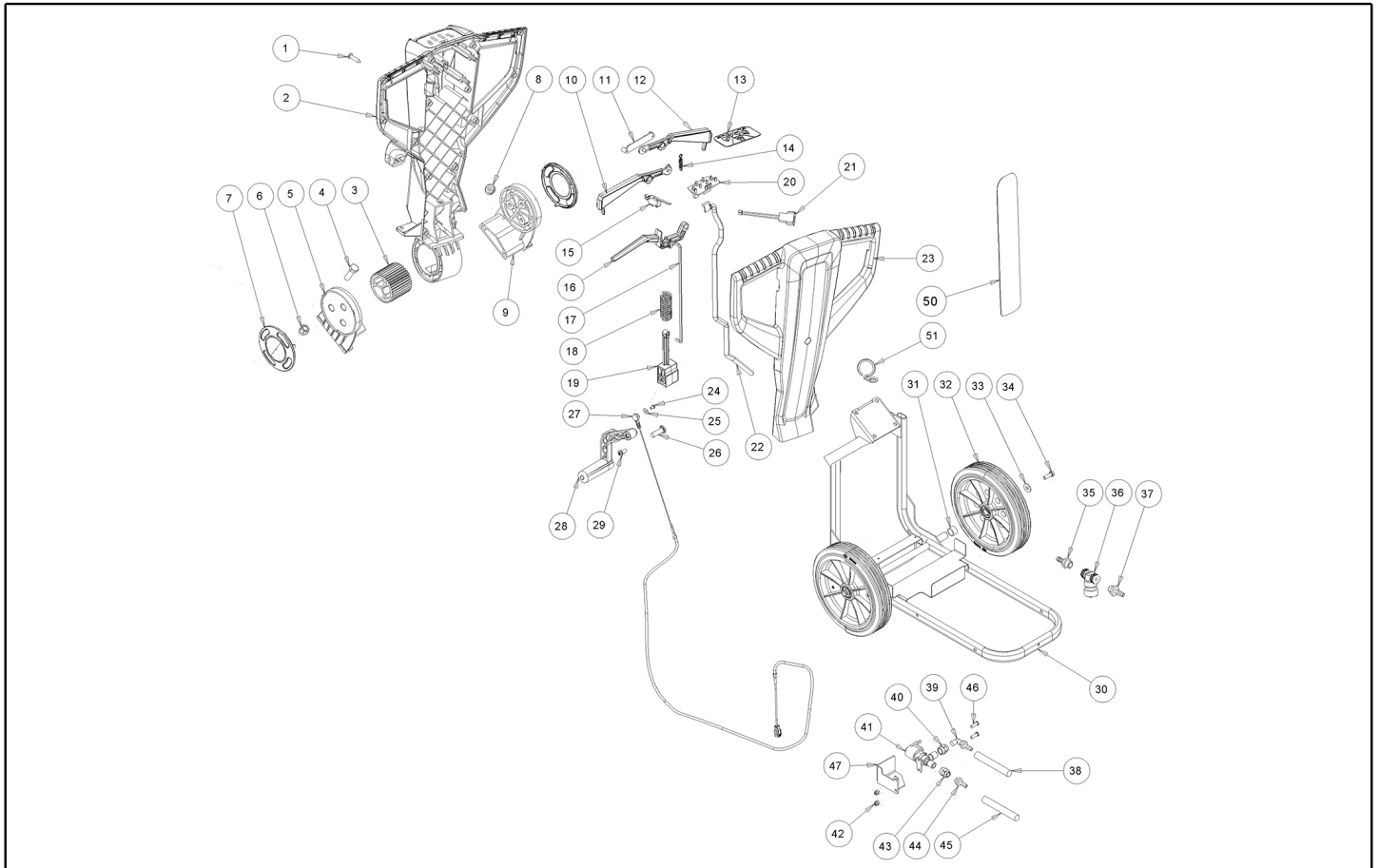
Ref.	Part No.	Description	Quantity
0001	897359	SCREW, TCTC, M4X16, ACCIAIO, INOX	1,00
0002	897245	CLIP	1,00
0003	897558	COVER, BATTERY, CHARGER	1,00
0004	897559	SCREW TBCE ISO 7380 5X12	4,00
0005	897564	SCREW TE M 4X 10 ZC. UNI 5739	4,00
0006	897661	BOARD, POWER [416S]	1,00
0007	604210	NUT M 4 ZIN UNI 5588	4,00
0008	897582	NUT M 4 TEF UNI 7473	2,00
0009	897562	CHARGER, 24VDC, 05A, 100-240VAC, ON-BRD	1,00
0010	897563	PLATE	1,00
0011	897564	SCREW TE M 4X 10 ZC. UNI 5739	2,00
0012	897565	SCREW TE M 5X 10 UNI 5739	2,00
0013	897384	WASHER, M5X14, INOX	2,00
0014	897497	NUT, M5, INOX	4,00
0015	897649	NET FERMA FILTRO	1,00
0016	9017687	VR, BRUSH, MOTOR, VACFAN	2,00
0016	897566	MOTOR VACUUM	1,00
0017	897567	PLATE	1,00
0018	897662	WASHER D. 5 GRW	2,00
0019	897473	SCREW, TCB, TC, M5X12, UNI9707, TZ	4,00
0020	897569	VIBRATION DAMP	4,00
0021	897570	CAP SOLUTION TANK	1,00
0022	897663	TANK SOLUTION	1,00
0023	897664	COVER	1,00
0024	897665	COVER, INNER, LID, TANK	1,00
0025	897574	SCREW TCB TC 5 X10 UNI 9707 TZ	8,00
0026	9017840	SEAL, COVER, RECVY TANK	1,00
0027	897666	GASKET	1,00
0028	9017844	FLOAT, SHUTOFF	1,00
0029	897576	WASHER 30x6x3	1,00
0030	897473	SCREW, TCB, TC, M5X12, UNI9707, TZ	1,00
0031	9017842	HOSE ASSY, RECVY	1,00
0032	9017845	HOSE ASSY, DRAIN	1,00
0033	897667	TANK RECOVERY	1,00
0034	9017839	GASKET, MOTOR, VACUUM	1,00
0035	897578	VALVE A SFERA MF 1/8"	1,00
0036	897678	CONNECTOR, 1/8" D.7	1,00
0037	897176	CAP 1/2"	1,00
0038	897160	NUT, M4, INOX, ZN	1,00
0040	89768	HINGE 416S	2,00
0041	897669	SCREW STS KN1031-Neu 4x16 - H2	4,00
0042	897579	CLAMP EKOFLEX 9 23-35	1,00
0043	897580	WIRING FUSE HOLDER BATTERY	1,00
0044	897510	FUSE 30A	1,00

Table: TANK ASM. - Cont.



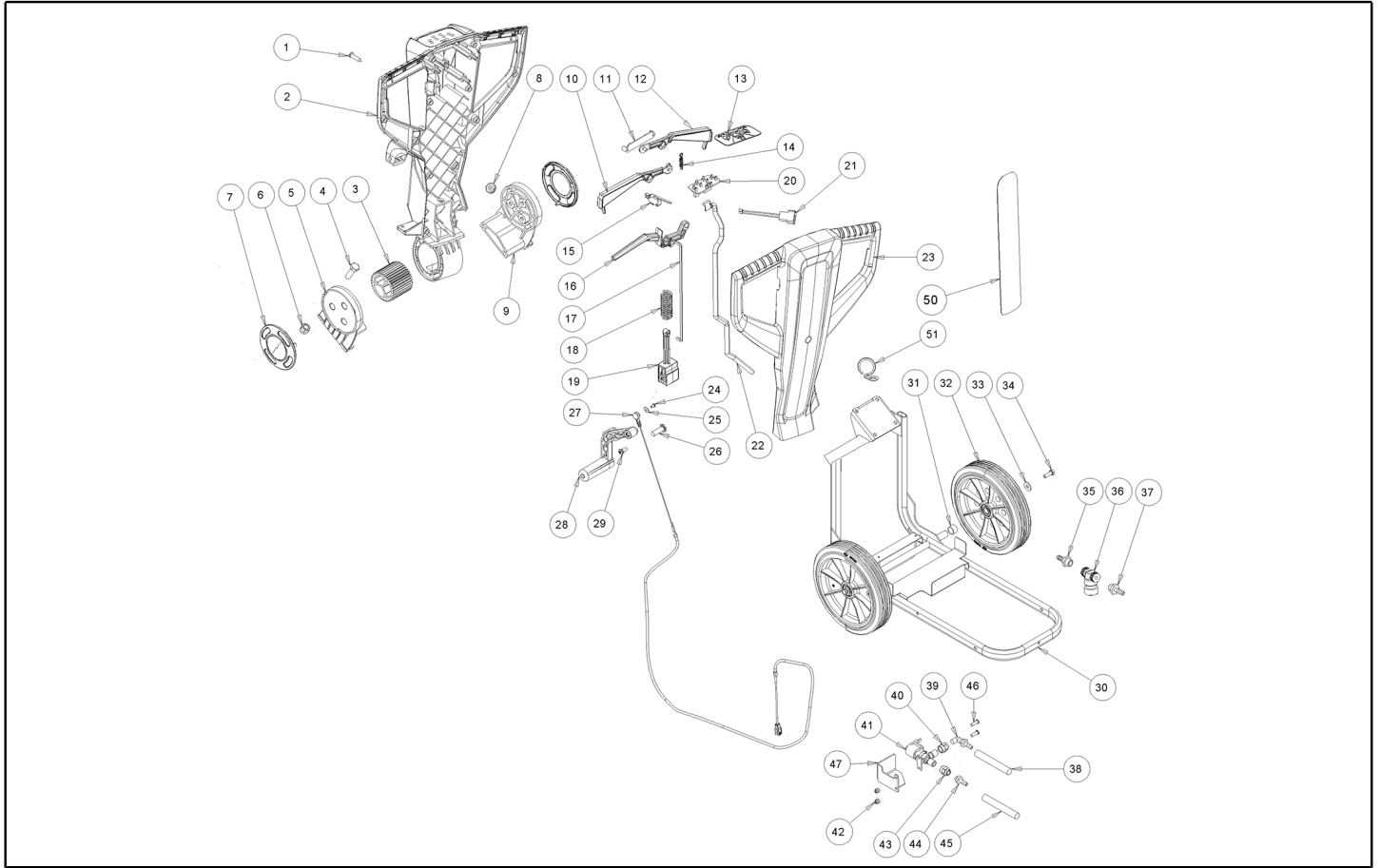
Ref.	Part No.	Description	Quantity
0045	9017850	CLIP, HOSE, RECVY	1,00
0046	897581	SCREW	2,00
0047	897582	NUT M 4 TEF UNI 7473	2,00
0048	897583	PROTECTION	1,00
0049	897644	WASHER D. 5 INX GRW UNI 1751	4,00
0050	1069836	CORD, POWER, CHRGR, 230VAC (EU CORD)	1,00
0051	897651	WASHER M4	4,00
0052	897149	WASHER, M4X16, INOX, A2	1,00
0053	897384	WASHER, M5X14, INOX	8,00
0055	897586	SCREW TCB-TC 4X12 UNI7687 INX	1,00
0056	897587	PLATE	1,00
0057	897276	NUT, M4, ATB, A2	1,00
0058	897156	WASHER, D. 4, INOX	1,00
0059	897588	SCREW TE M 5X 35 UNI 5739	1,00
0060	897384	WASHER, M5X14, INOX	1,00
0061	897589	WASHER UNI 6592 4X16 ZB	2,00
0062	897590	O-RING D. 6.75 X 1.78 NBR 70SH	1,00
0063	897651	FUSE LAMELLARE 20A	1,00
0064	897647	WIRING	1,00
0065	897591	CAP IEC	1,00
0066	897592	BRACKET	1,00

Table: FRAME ASM.



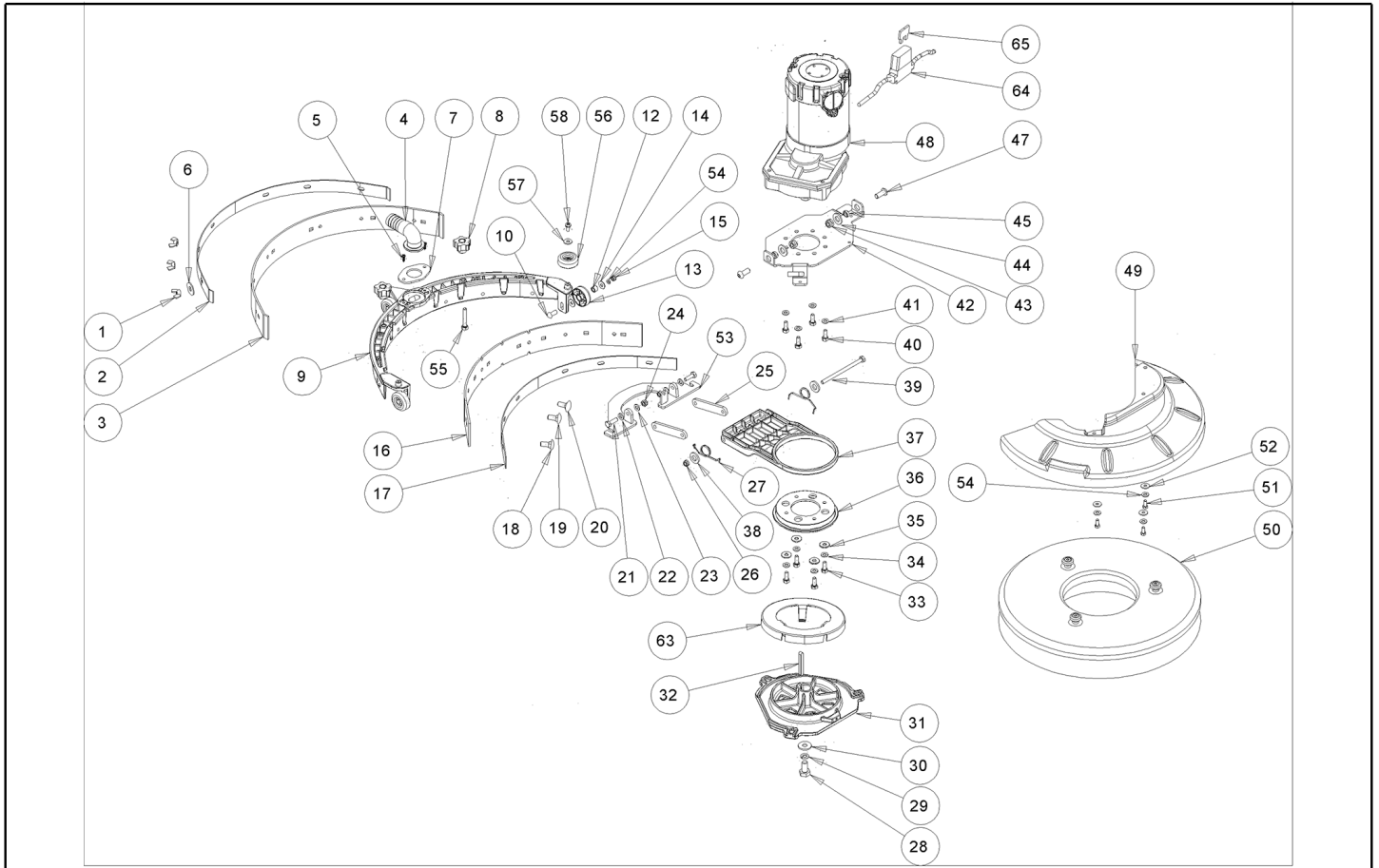
Ref.	Part No.	Description	Quantity
0001	897593	SCREW 4,8X19	14,00
0002	897670	CRANK CASE	1,00
0003	897595	GEAR	1,00
0004	897596	SCREW TBCE ISO 7380 8X22 ZB	4,00
0005	897597	SHELL DX	1,00
0006	897598	NUT M 8 BASSO	4,00
0007	897599	COVER	2,00
0008	897600	FAIR-LEAD	1,00
0009	897601	SHELL SX	1,00
0010	897671	LEVER DX	1,00
0011	897603	SUPPORT ELECTRONIC CARD	1,00
0012	897672	LEVER SX	1,00
0013	897673	LABEL DASHBOARD [416S]	1,00
0014	897606	SPRING	1,00
0015	9017689	SWITCH, HANDLE	1,00
0016	897674	LEVER, ADJUSTMENT	1,00
0017	897652	LEVER RINVIO	1,00
0018	897608	SPRING	1,00
0019	897609	HANDLE SUPPORT	1,00
0020	897610	CIRCUITBOARD ASSY [416S]	1,00
0021	897611	WIRING PUSH BOTTON	1,00
0022	897612	CABLE, RIBBON, FLAT	1,00
0023	897675	CRANK CASE, HANDLE, FRONT	1,00
0024	897150	SCREW, TC, M4X12, ZN	1,00
0025	897149	WASHER, M4X16, INOX, A2	1,00
0026	897614	PIN	1,00
0027	9017846	CABLE, LIFT, SQGE	1,00
0028	9017688	LEVER, LIFT, SQGE	1,00
0029	897615	SCREW TC 6X12	1,00
0030	897616	FRAME	1,00
0031	897617	BUSHING	2,00
0032	897618	WHEEL GRAY d.250	2,00
0033	897619	WASHER D. 8 X24 ZC.	2,00
0034	897676	SCREW TE 8X16 UNI5739	2,00
0035	897677	CONNECTOR	1,00
0036	9018511	FILTER COMPLETE CT15-30-45 P2,3	1,00
0037	897677	CONNECTOR	1,00
0038	897621	TUBE	1,00
0039	897678	CONNECTOR 1/8" D.7	1,00
0040	897679	CONNECTOR	1,00
0041	9017847	VALVE, WATER, SOLENOID, 24VDC	1,00
0042	897276	NUT, M4, ATB, A2	2,00
0043	897679	CONNECTOR	1,00
0044	897678	CONNECTOR 1/8" D.7	1,00

Table: FRAME ASM. - Cont.



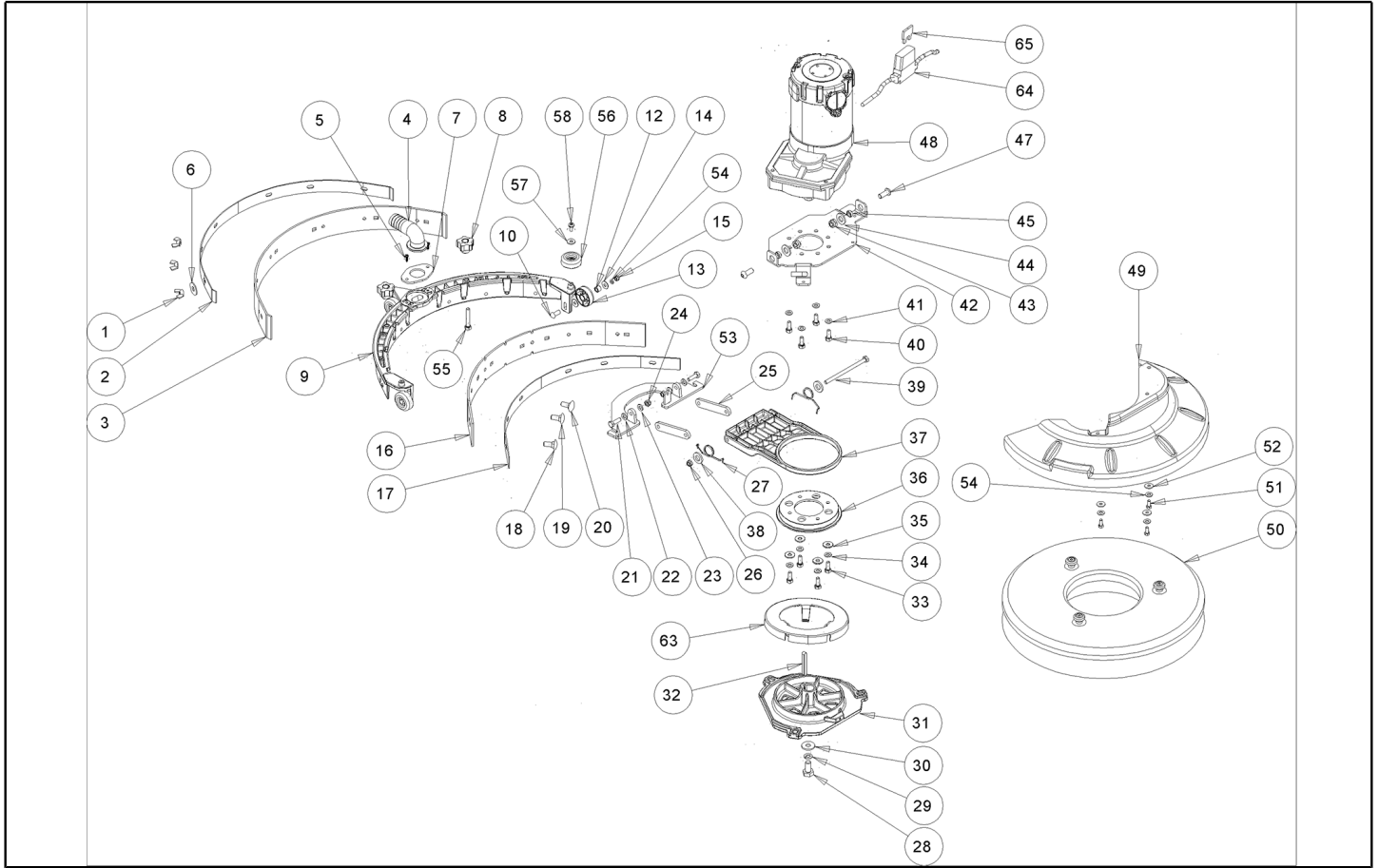
Ref.	Part No.	Description	Quantity
0045	897622	TUBE	1,00
0046	897359	SCREW, TCTC, M4X16, ACCIAIO, INOX	2,00
0047	897623	PROTECTION ELETTROVALVOLA	1,00
0050	897680	LABEL, GREY	1,00
0051	897625	HOOK	1,00

Table: SQUEEGEE AND SCRUB HEAD ASM.



Ref.	Part No.	Description	Quantity
0001	897626	NUT M5	6,00
0002	897627	BRACKET	1,00
0003	9017827	BLADE, SQGE, REAR, LATEX	1,00
0004	897628	CONNECTOR ELBOW FITTING	1,00
0005	897473	SCREW, TCB, TC, M5X12, UNI9707, TZ	2,00
0006	897384	WASHER, M5X14, INOX	6,00
0007	897629	FLANGE	1,00
0008	897630	SMALL KNOB	2,00
0009	897631	FLOOR WIPER YELLOW RAL1021	1,00
0010	897632	SCREW M5x20	3,00
0012	897633	BUSHING	3,00
0013	9017848	WHEEL, SQGE	3,00
0014	897384	WASHER, M5X14, INOX	6,00
0015	897497	NUT, M5, INOX	3,00
0016	9017826	BLADE, SQGE, FRONT, LATEX	1,00
0017	897634	BRACKET	1,00
0018	897635	SCREW M5x25	2,00
0019	897681	SCREW M5x35	2,00
0020	897681	SCREW M5x35	2,00
0021	897287	SCREW, TE, M6X20, UNI5739, INOX	2,00
0022	897106	WASHER, FLAT, 6,00 X 11,00 X 1,6, SS	2,00
0023	897106	WASHER, FLAT, 6,00 X 11,00 X 1,6, SS	2,00
0024	897138	NUT, M6, INOX	2,00
0025	897636	ARM	2,00
0026	897138	NUT, M6, INOX	1,00
0027	9017849	SPRING, SQGE	2,00
0028	897316	SCREW, TE, M8X20, UNI5739, INOX	1,00
0029	897216	WASHER, D. 8, GRW, UNI1751, INOX	1,00
0030	897120	WASHER, D.8X24, UNI6593, INOX	1,00
0031	9017812	HUB, DRIVE, BRUSH, DISK	1,00
0032	897374	KEY, SQ, 6 X 6 X 30L	1,00
0033	897287	SCREW, TE, M6X20, UNI5739, INOX	4,00
0034	897129	WASHER, D.6, GRW, UNI1751, INOX	4,00
0035	897112	Washer, FLAT, 6,00 X 18,00 X 1,6	4,00
0036	897637	BRACKET	1,00
0037	897638	BODY SIDE SX	1,00
0038	897112	Washer, FLAT, 6,00 X 18,00 X 1,6	2,00
0039	897639	SCREW M6X140	1,00
0040	897130	SCREW, TE, M6X12, UNI5739, A2	4,00
0041	897129	WASHER, D.6, GRW, UNI1751, INOX	4,00
0042	897640	PLATE	1,00
0043	897124	NUT, M8, INOX	2,00
0044	897152	WASHER, D.8, UNI6592, INOX	2,00
0045	897641	BUSHING	2,00

Table: SQUEEGEE AND SCRUB HEAD - Cont.



Ref.	Part No.	Description	Quantity
0047	897246	SCREW, TE, M8X30, UNI5739, INOX	2,00
0048	9017686	VR, BRUSH KIT, MOTOR, BRUSH	4,00
0048	897642	MOTOR BRUSH 24V	1,00
0049	9018330	COVER BRUSH [416S]	1,00
0050	9017834	BRUSH ASSY, DISK, SCB, 35CM, 3-LUG, PYP	1,00
0051	897459	SCREW, M5X12, TE, INOX	3,00
0052	897384	WASHER, M5X14, INOX	3,00
0053	897643	SUPPORT	1,00
0054	897644	WASHER D. 5 INX GRW UNI 1751	3,00
0055	897115	SCREW, M6 X 55, SS	2,00
0056	9017848	WHEEL, SQGE	2,00
0057	897384	WASHER, M5X14, INOX	2,00
0058	897473	SCREW, TCB, TC, M5X12, UNI9707, TZ	2,00
0064	897647	WIRING	1,00
0065	897648	FUSE 25A	1,00

SQUEEGEE BLADES

Ref.	Part No.	Description	Quantity
0003	9017827	BLADE, SQUEEGEE, REAR 596L, LATEX [STD]	1,00
0003	9017830	BLADE, SQUEEGEE, REAR 596L, LINATEX	1,00
0003 & 0016	9017832	BLADE KIT, SQGE, FRNT 536L/REAR 596L, POLYURETHANE	1,00
0016	9017826	BLADE, SQUEEGEE, FRONT, 536L, LATEX [STD]	1,00
0016	9017829	BLADE, SQUEEGEE, FRONT, 536L, LINATEX	1,00

BRUSHES, PADS & PAD DRIVER

Ref.	Part No.	Description	Quantity
0050	9017836	BRUSH ASSY, DISK, SCB, 35CM, 3-LUG, PYP, SOFT	1,00
0050	9017834	BRUSH ASSY, DISK, SCB, 35CM, 3-LUG, PYP [STD]	1,00
0050	9017837	BRUSH ASSY, DISK, ABR, 35CM, 3-LUG, 120 GRIT	1,00
0050	9017782	DRIVER ASSY, PAD, 35CM, 3-LUG	1,00
	994520	PAD, STRIPPING, 14.0D, BROWN	5,00
	994519	PAD, SCB, 14.0D, BLUE	5,00
	994540	PAD, BUFF, 14.0D, RED	5,00
	994754	PAD, POLISH, 14.0D, WHITE	5,00